



INSTALLATION GUIDE

Please read carefully before commencing installation





CONTENTS

- Kit Form Assembly
- Head Extension / Add-on
- Installing the Outerframe
- Frame Closers
- Installing Door Sashes
- Drain Trays
- Adjustable Wheels
- Interlock Mullion
- Anti-Lift Guides
- SlimInterlock Fitting Guide & Cover Trim
- Bonding of Slim Interlock
- Door Stopper & Glass Perimeter Foam
- Cover Plate for Threshold & Sides

- **TOOLS NEEDED:**

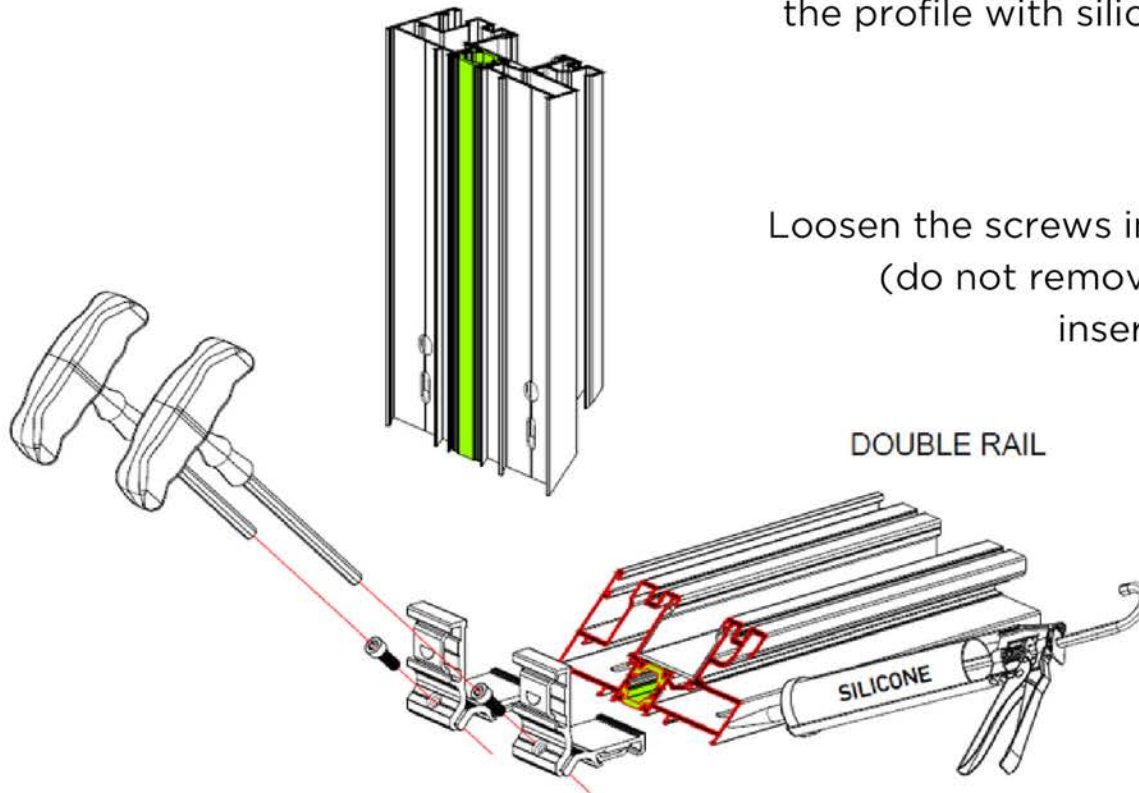
- LARGE SPIRIT LEVEL
- TAPE MEASURE
- HAMMER DRILL AND BITS
- 4MM ALLEN KEY (FOR FRAME CLEATS)
- SILICONE SEALANT (EXTERIOR)
- GLASS BONDING AGENT
- APPROPRIATE SCREWS AND FIXINGS
- GLAZING PADDLE
- GASKET SHEARS
- GLASS CLEANER
- ASSORTED PACKERS
- PH3 SCREWDRIVER (to adjust wheels if needed)
- GLASS SUCKERS

FRAME ASSEMBLY AND INSTALLATION

Be sure to fill all drained sections and all exposed aluminium of the end of the profile with silicone before assembly.

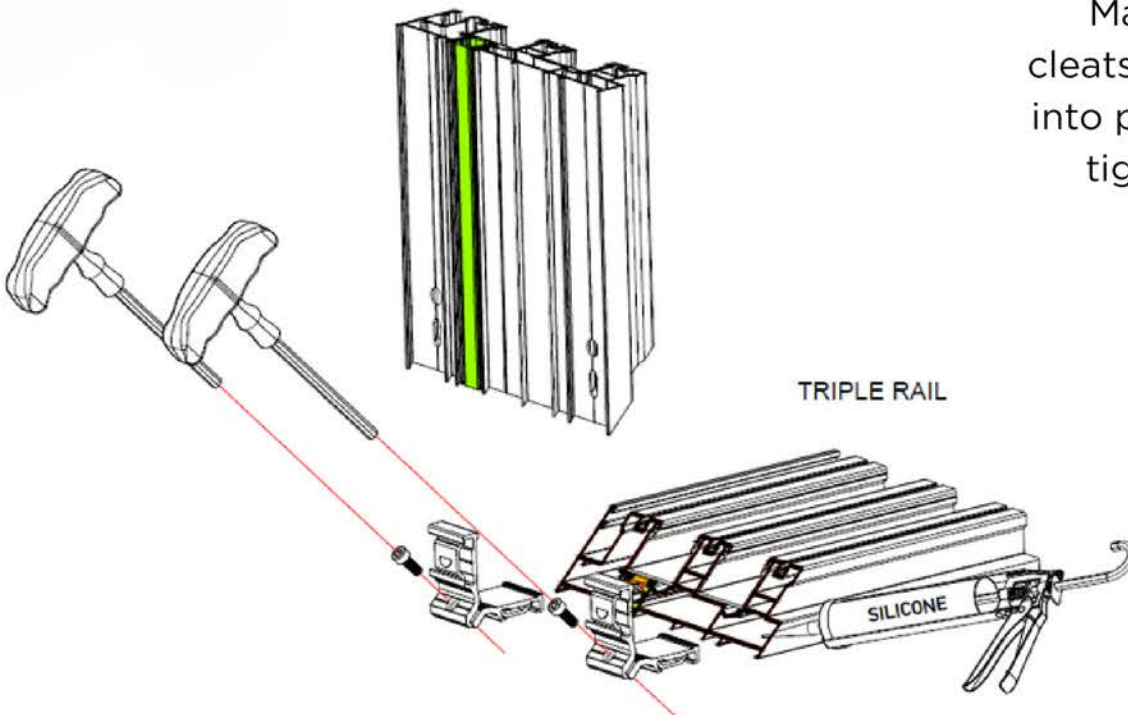
Loosen the screws in the cleats (do not remove) to make insertion easier.

DOUBLE RAIL

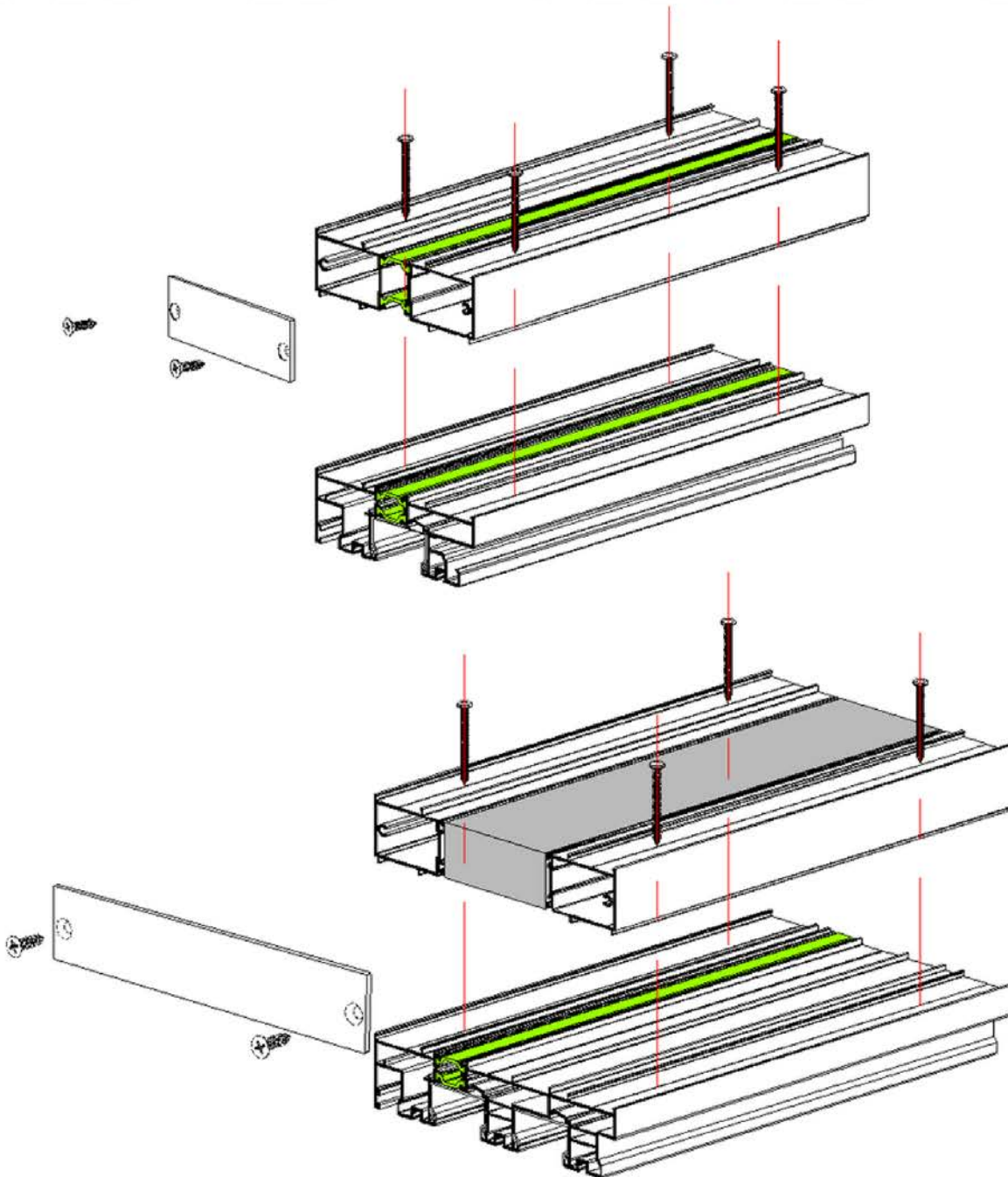
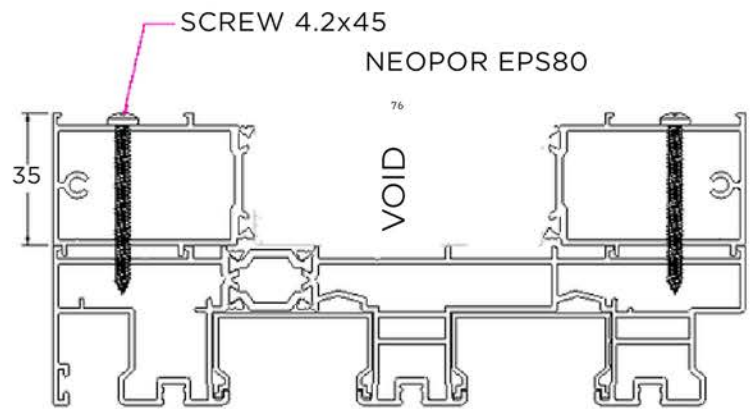
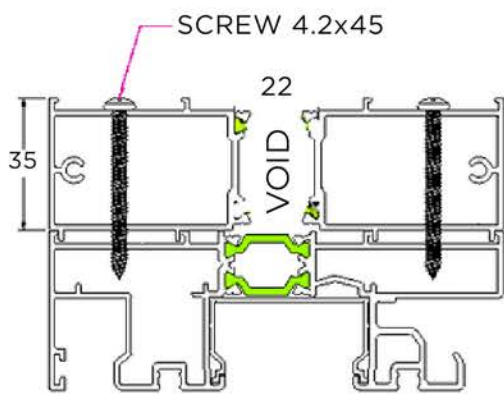


Make sure the cleats are clicked into place before tightening the screws.

TRIPLE RAIL

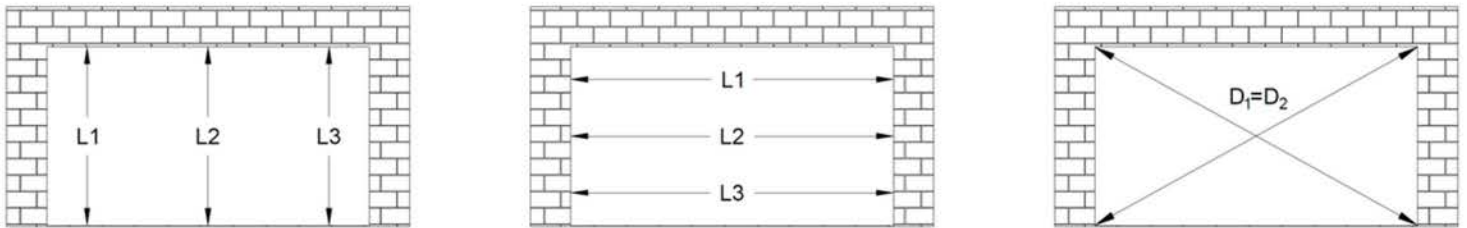


HEAD EXTENSION



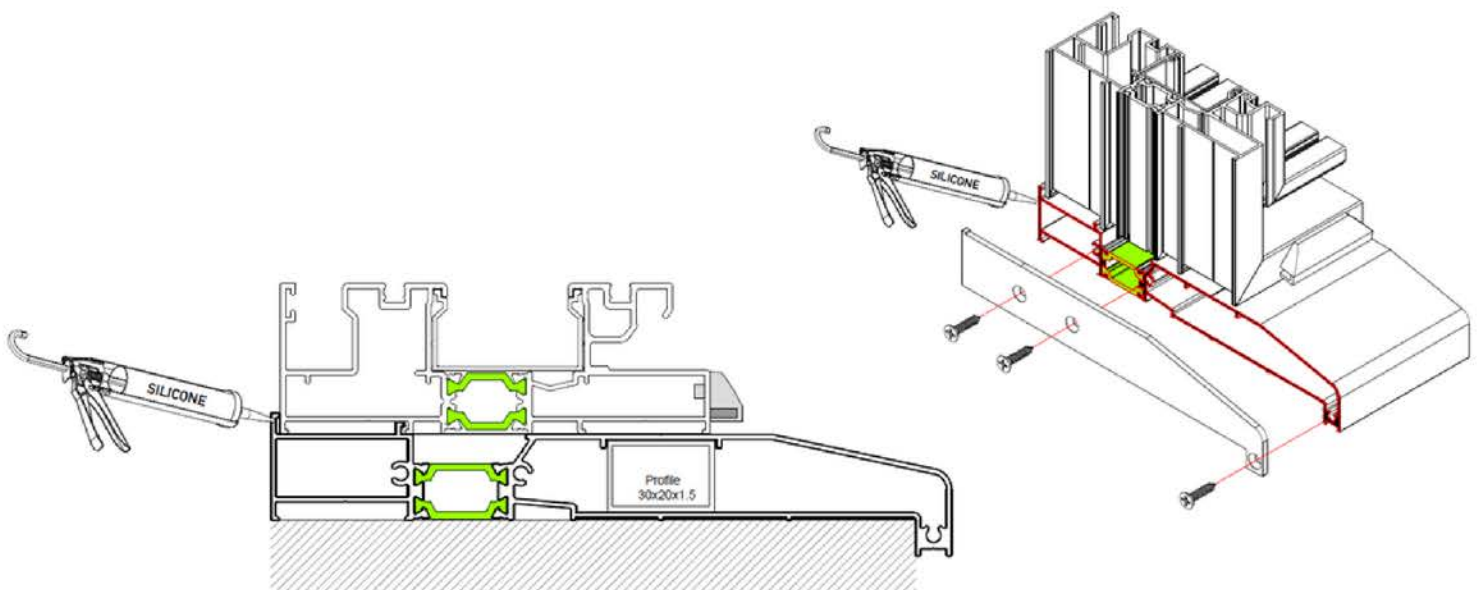
INSTALLING THE OUTERFRAME

By following these steps, you ensure the opening is level and square before introducing the frame.



THERMAL BARRIER TYPE

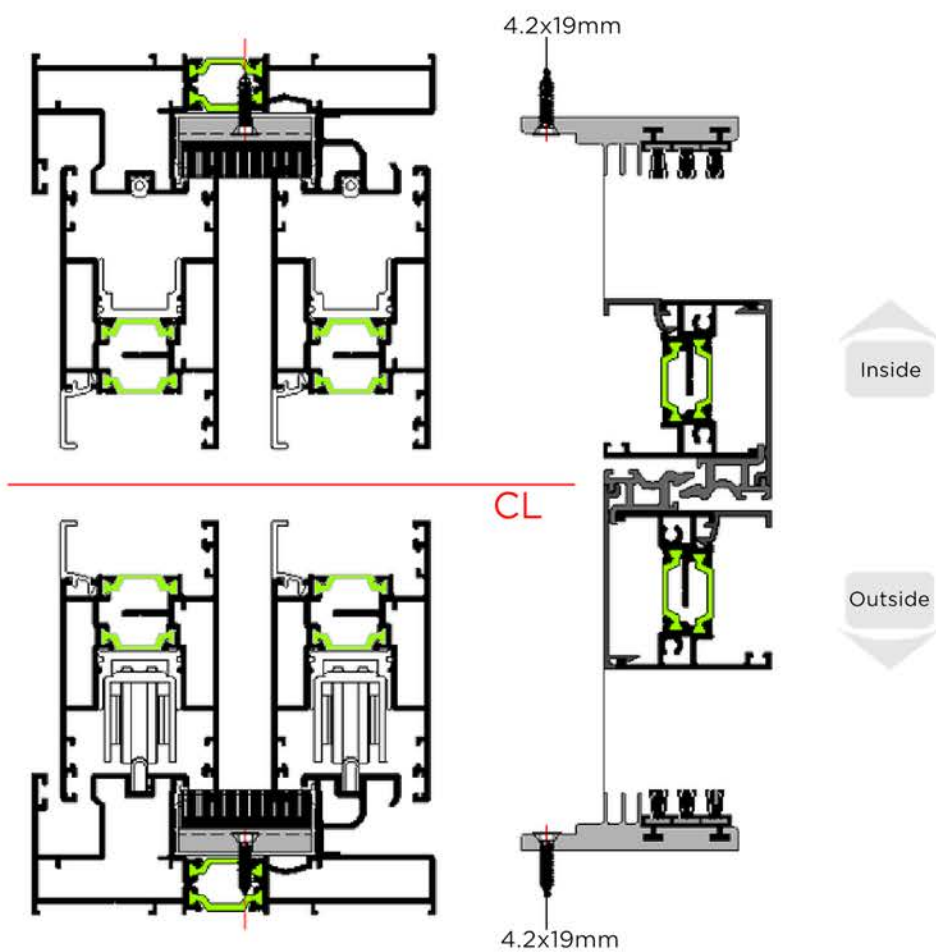
Be sure to sit the cill/ frame on packers to stop thermal transfer from the masonry.



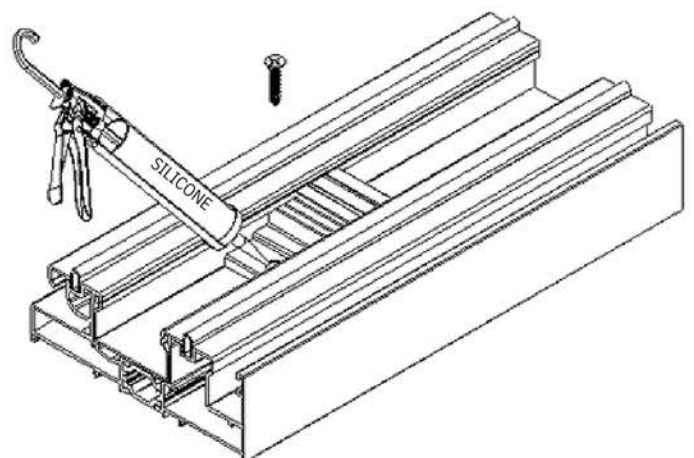
FRAME CLOSERS

The top rubber can be trimmed down in width by 1mm to aid its movement in the top of the frame. this is so it can be moved out of the way to make getting the doors in easier.

Be sure to place the rubbers in so that the wool pile is facing the inside of the building.



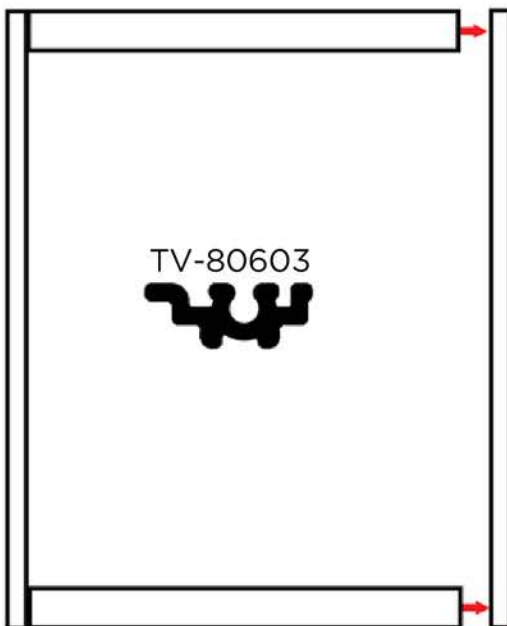
Now you can apply silicone and install the screw.



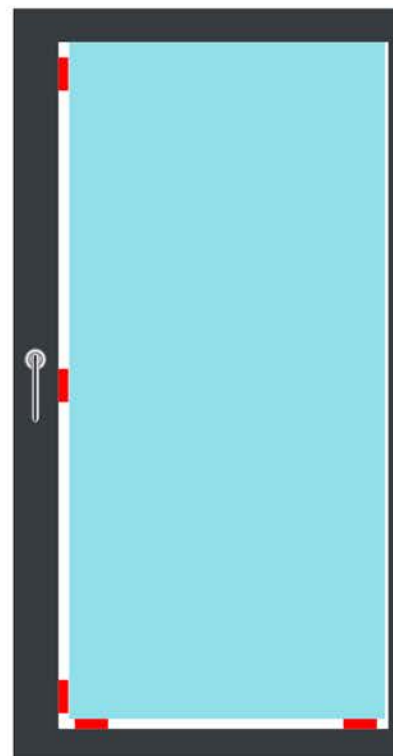
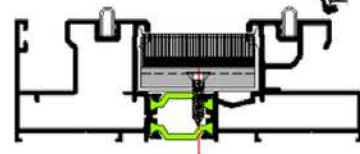
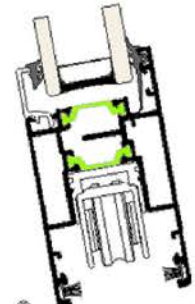
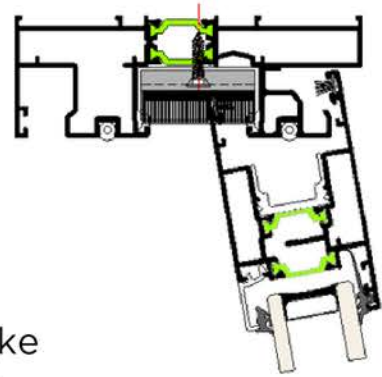
INSTALLING THE DOOR SASHES

Put the sashes into the frame top first.

When glazing the centre panel, you can either take one interlock off to get the glass in, OR extend the TV-80603 to 100mm and screw in longer screws, this way you will only have to loosen the screws to get the glass in.

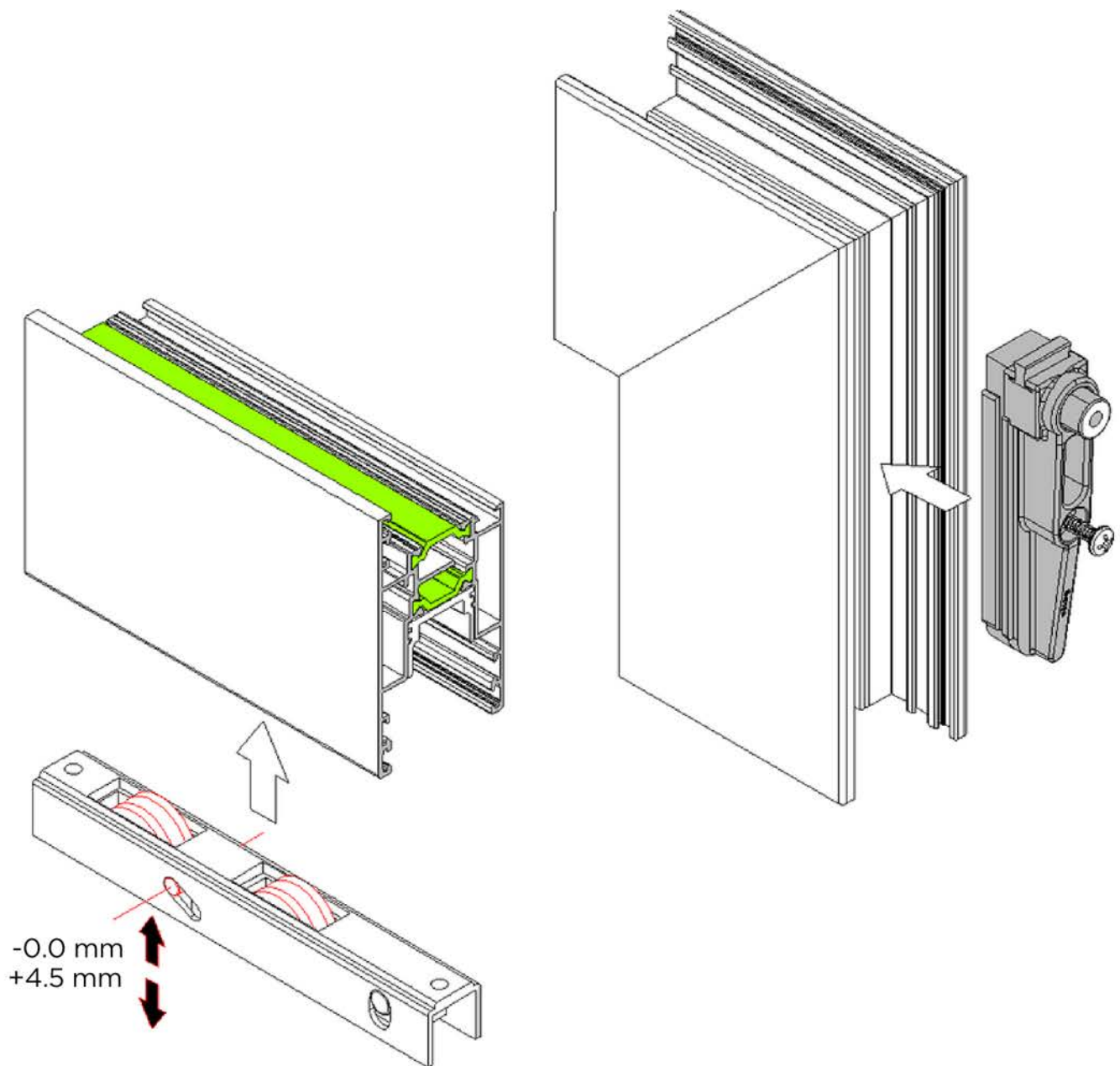


Pack out the glass on the opposite side to the slim interlock in order for the glass to be pushed into the bonding agent correctly.



ADJUSTABLE WHEELS

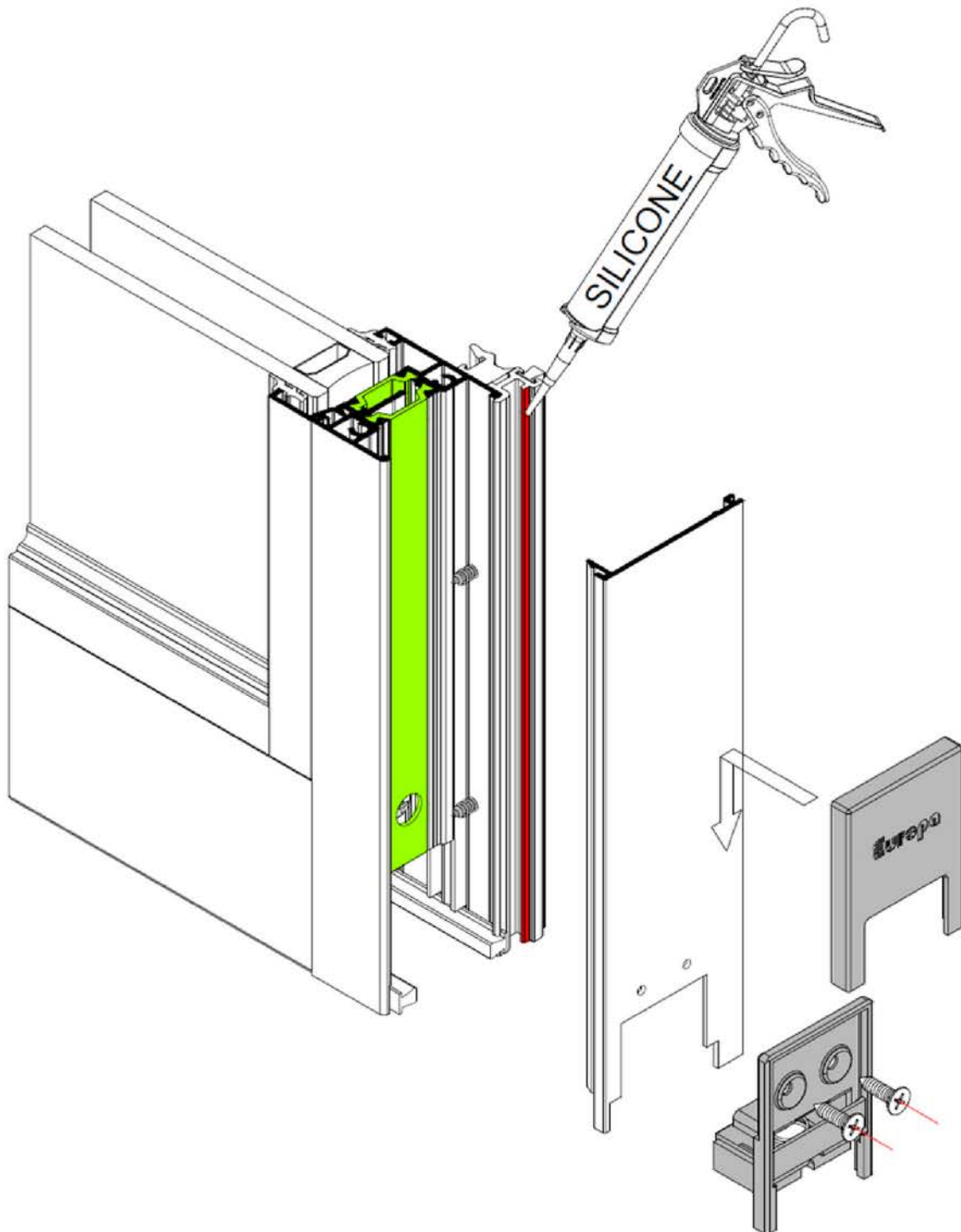
Attach anti lift / slam blocks once the doors are in the frame.



Place wheels approx 100mm from the edge of the profile, with the adjuster screw pointing to the outside.

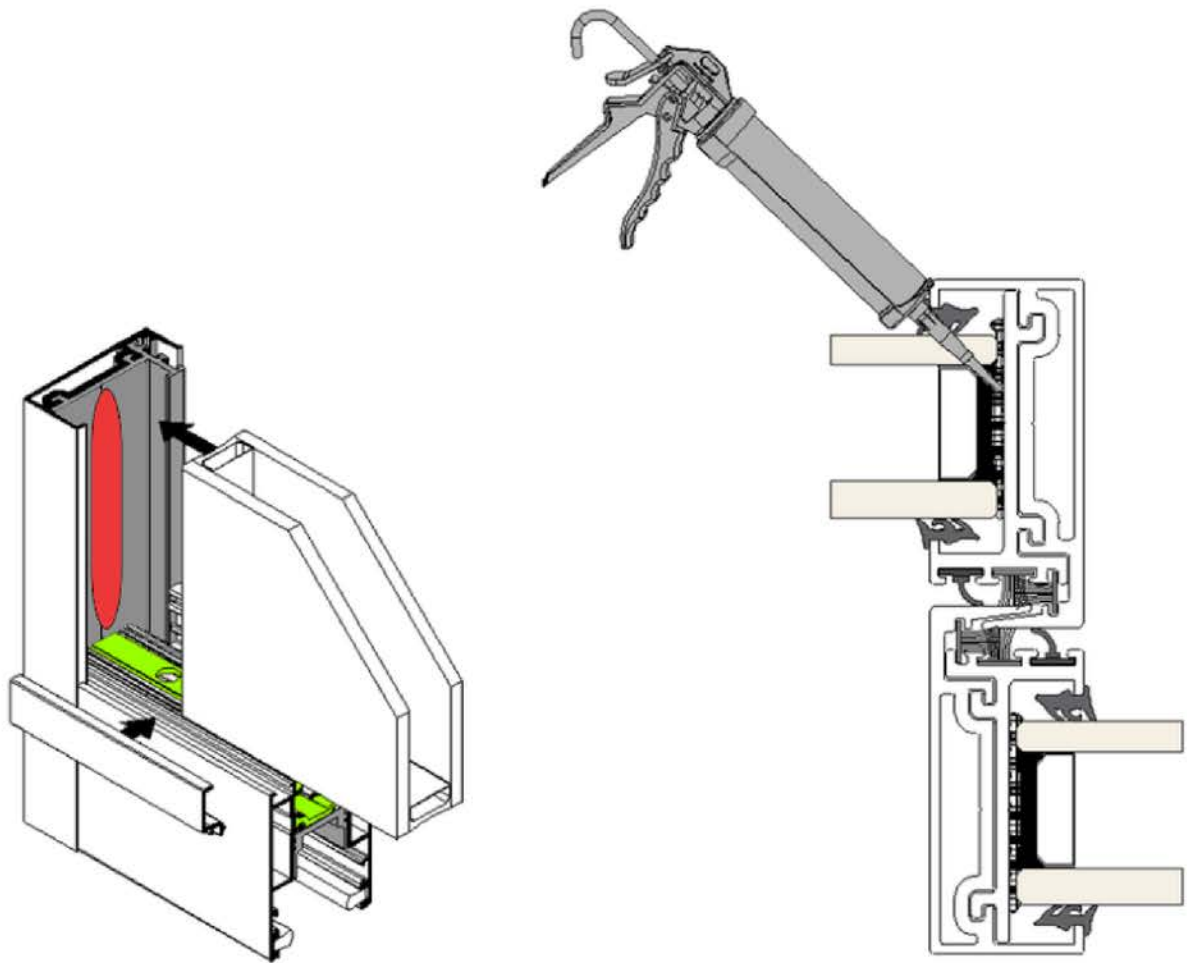
SILICONE

Make sure to re Silicone the edge of the interlock plastic before attaching the cover cap if you have had to remove it.



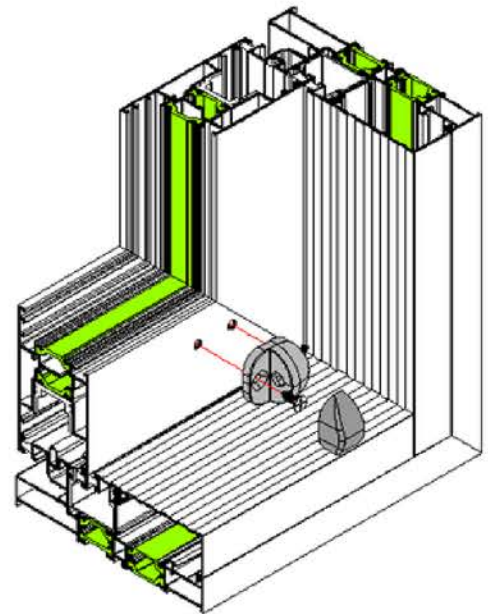
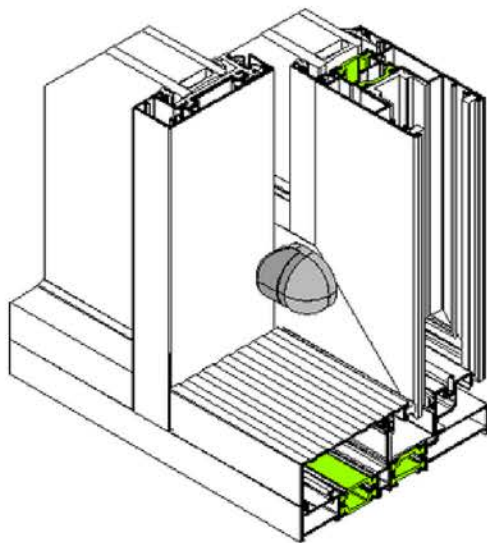
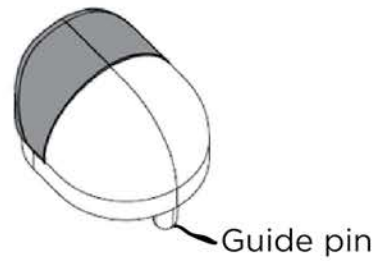
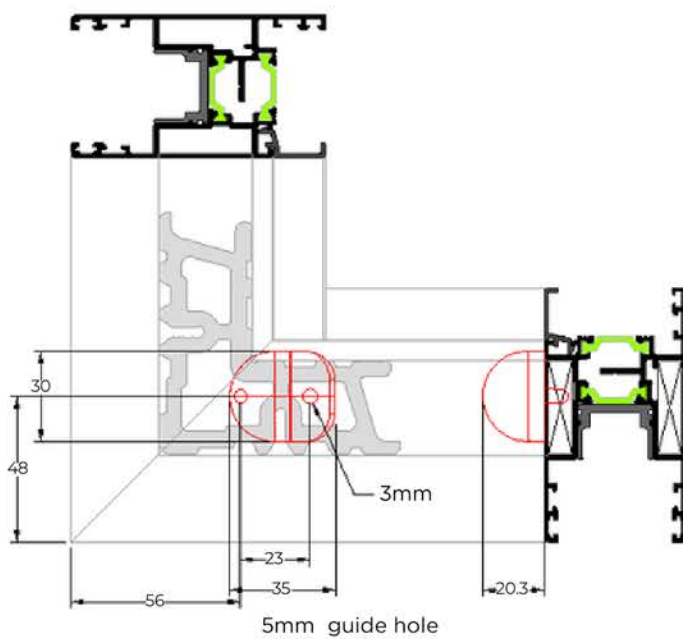
BONDING OF SLIM INTERLOCK

Be sure to apply a good amount of bonding agent down the full length of the interlock before introducing the glass.



STOPPER

Before screwing the stopper to the sash, open the door until the handle is a hands width away from the interlock, mark the position of the stopper on the bottom of the other sash and pre drill the guide hole.





@alunetsystems

Alunet Systems
Low Mill Lane, Havelock Street
Ravensthorpe Industrial Estate
Ravensthorpe
Dewsbury
WF13 3LN



01924 350 110
alunetsystems.co.uk