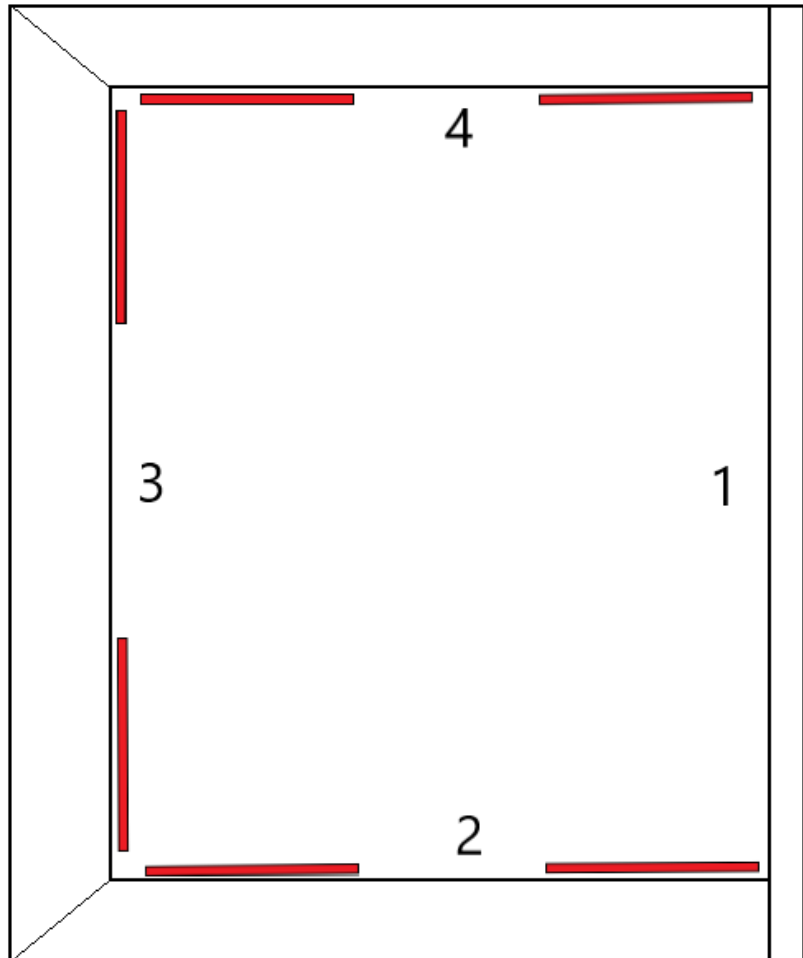


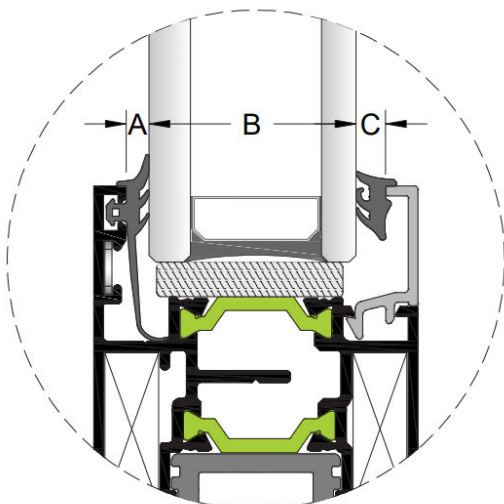
1. Apply bonding agent to the inside of the interlock.
2. Place 5mm packers in the bottom of the sash (approximately where the wheels/fixed sash blocks are). **Do not cover drainage holes.**
3. Shuffle glaze the glass into the interlock and pack out the other side so the glass is snug in the sash. Making sure the interlock is pushed into the glass to bond correctly.
4. Pack out the top of the glass until the glass is tight within the sash
5. Place beads back in and apply wedge gasket, be sure to wedge both sides of the slim interlock profile.



Once you have beaded and gasketed the doors, we suggest to put a strap around the sashes to keep the interlock tight to the glass until the bonding agent has cured fully.

**Approx 25mm wide and 5mm thick strip of bonding agent should be applied down the centre of the interlock before glazing.**

## Wedge Glazing Gasket.



TOTAL SPACE	OUTSIDE		GLASS	INSIDE	
(mm)	CODE	A (mm)	B (mm)	C (mm)	CODE
37	GA-004005	3	32	2	GA-12407
37	GA-004005	3	31	3	GA-12408
37	GA-004005	3	30	4	GA-12409
37	GA-004005	3	29	5	GA-12410
37	GA-004005	3	28	6	GA-12411
37	GA-004005	3	27	7	GA-12412
37	GA-004005	3	26	8	GA-004024
37	GA-004005	3	24	10	GA-004028