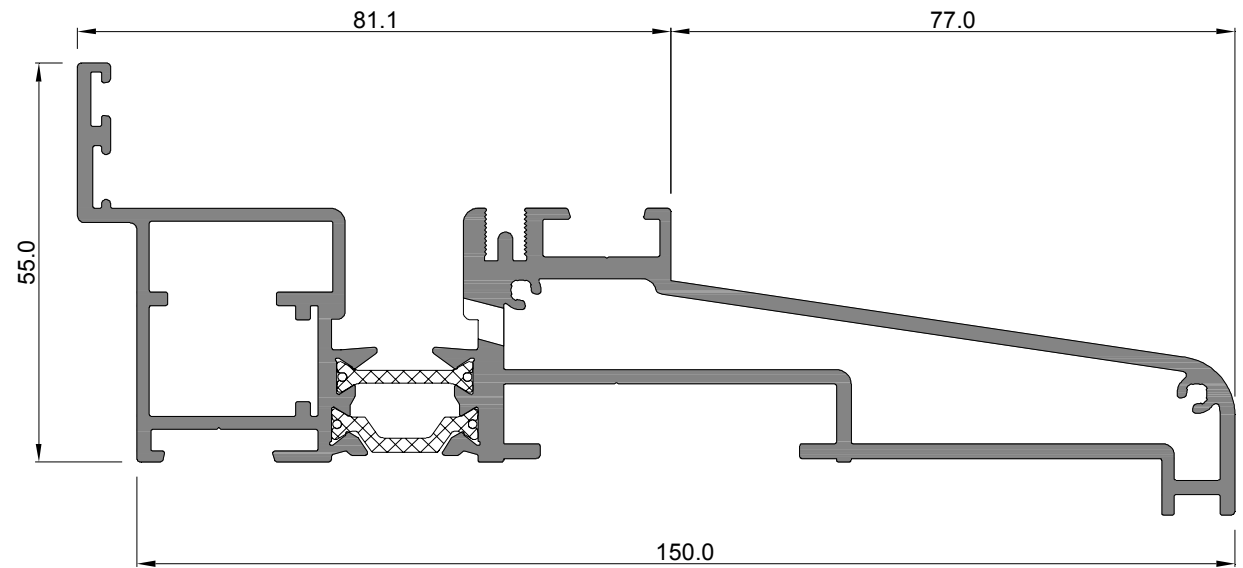
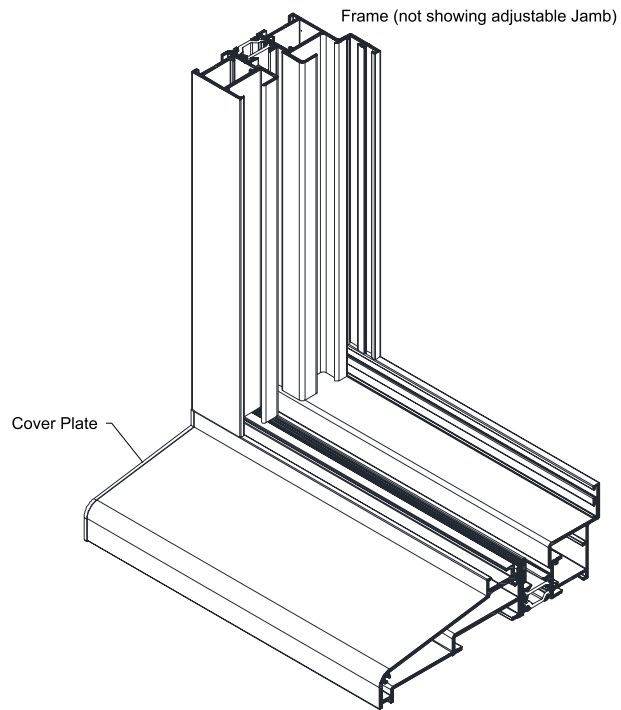


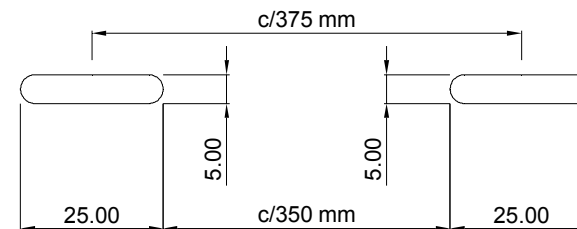
## FRAME WITH 150 MM DRAINAGE

New integrated bi-fold threshold with hidden drainage. Supplied with end closure cover plates.



### MACHINING

Slotted hole 25x5 1c/375





Drainage holes at 35cm intervals