

6

5

4

3

2

1

PROPRIETARY STATEMENT

The information contained in this drawing is the sole property of Alunet Systems Limited. Duplication in part or whole of this document without prior written consent is prohibited by law.

Issue Status			
ISS	CN	Description	Date
01		For Information Only	06/04/22

D

D

Frame Adaptor

Secure Plate to sash using 4.8 x 30 screws 2 off - NOT SUPPLIED

Sash Adaptor

Sash Fixing

Secure arm into frame channel using 4.2 x 35 screws 4 off - NOT SUPPLIED

Use 2.5mm allen key to set tension fully to "O" this will enable easier disengagement of friction arm if needed

DETAIL A SCALE 1 : 1

80mm Or to give required opening

C

C

B

B

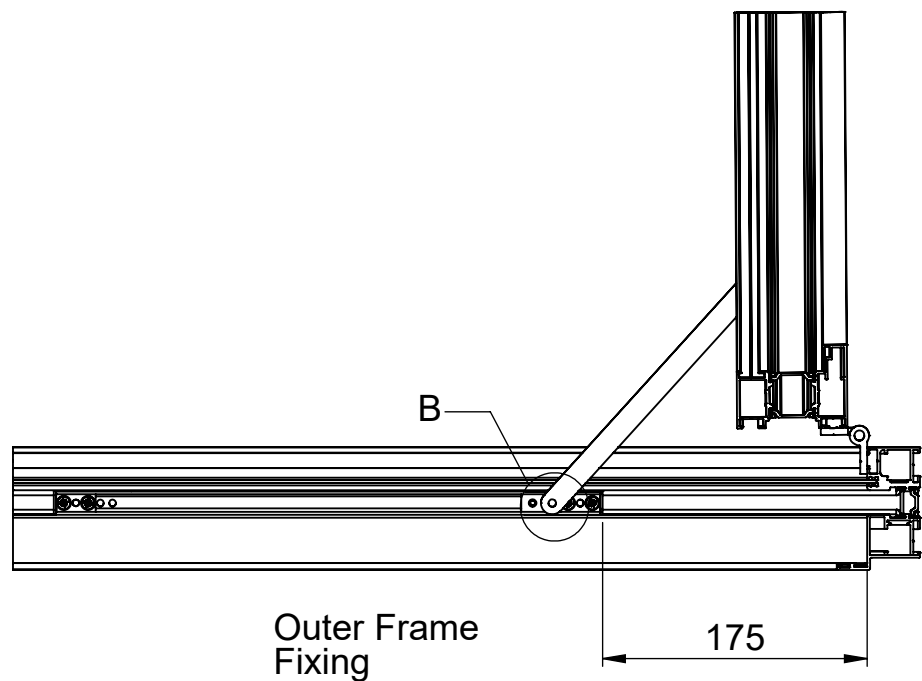
Adjust friction using 2.5mm allen key - DO NOT OVER TIGHTEN

DETAIL B SCALE 1 : 1

A

A

ALUNET PRODUCT CODE : 060210



Description: Door Restrictor Fitting		Material: --	
Drawn By: D. Duffield	Date: 06/04/2022	Finish: --	
Scale: -	Sheet: --	Checked:	Volume (mm3): -- Weight (g): --
Drawing No: ASL0158		File: --	

General Tolerance Unless Stated:
Linear ±0.10 and Angular ±0.5°
All Dimensions in mm
Do Not Scale Drawing

First Angle Projection

Sheet Size A3

© **ALUNET SYSTEMS LIMITED**

6

5

4

3

2

1