

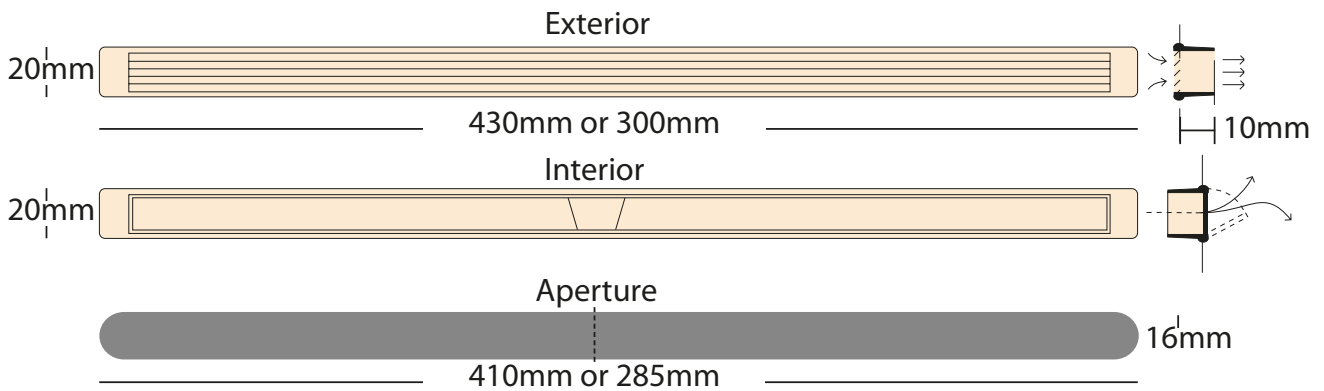
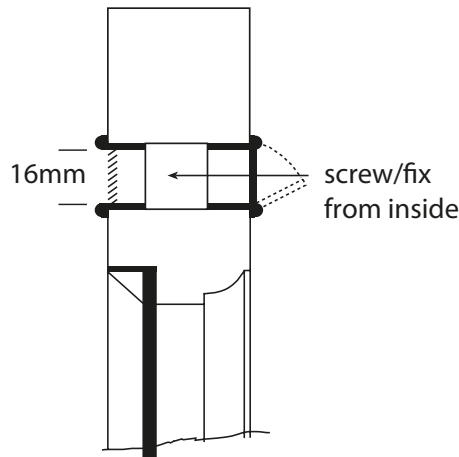


Mighton Tricklevent

Data Sheet

Flushfitting Tricklevent

- Fits all timber windows
- Simple condensation control
- Fingertip vent adjustment
- Simple, low cost installation requiring only three hidden screws
- White, or Brown ABS, for long life
- Maintenance free



Technical Data

Flushfitting Tricklevents		
Code	Width	Colour
TV	430mm	White
TVB	430mm	Brown
TV3	300mm	White
TVB3	300mm	Brown



Mighton Tricklevent

Data Sheet

Screw-in (small)

Atmospheric conditions

Temp Δ_a : 18°C

Pressure p_a : 99.7 kPa

	Pressure		Ventilator closed				Ventilator opened			
	ΔP	Rig	Closed	Total	Total	Corrected	Open	Total	Total	Corrected
	Pa	m ³ /h	m ³ /h	m ³ /h	l/s	l/s	m ³ /h	m ³ /h	l/s	l/s
increasing	20	1.33	2.45	1.12	0.311111	0.308226	22.14	20.81	5.780556	5.726942
increasing	30	1.78	3.15	1.37	0.380556	0.377026	26.93	25.15	6.986111	6.921316
increasing	40	2.24	3.99	1.75	0.486111	0.481602	31.19	28.95	8.041667	7.967081
increasing	60	3.09	5.21	2.12	0.588889	0.583427	38.74	35.65	9.902778	9.810931
increasing	80	3.89	6.37	2.48	0.688889	0.6825	44.71	40.82	11.33889	11.23372
increasing	100	4.62	7.43	2.81	0.780556	0.773316	50.33	45.71	12.69722	12.57946
decreasing	80	3.92	6.4	2.48	0.688889	0.6825	44.78	40.86	11.35	11.24473
decreasing	60	3.11	5.24	2.13	0.591667	0.586179	38.88	35.77	9.936111	9.843955
decreasing	40	2.28	4.01	1.73	0.480556	0.476098	31.38	29.1	8.083333	8.008361
decreasing	30	1.82	3.21	1.39	0.386111	0.38253	27.5	25.68	7.133333	7.067173
decreasing	20	1.36	2.44	1.08	0.3	0.297218	22.7	21.34	5.927778	5.872798

Equivalent area at $\Delta P=20Pa$ (C = 284.5) (increasing) A = 1629.3 mm²

Equivalent area at $\Delta P=20Pa$ (C = 284.5) (decreasing) A = 1670.8 mm²

Screw-in (large)

Atmospheric conditions

Temp Δ_a : 18°C

Pressure p_a : 99.7 kPa

	Pressure		Ventilator closed				Ventilator opened			
	ΔP	Rig	Closed	Total	Total	Corrected	Open	Total	Total	Corrected
	Pa	m ³ /h	m ³ /h	m ³ /h	l/s	l/s	m ³ /h	m ³ /h	l/s	l/s
increasing	20	1.68	3.13	1.45	0.402778	0.399042	30.33	28.65	7.958333	7.884521
increasing	30	2.28	4.29	2.01	0.558333	0.553155	37.15	34.87	9.686111	9.596274
increasing	40	2.91	5.31	2.4	0.666667	0.660483	43.5	40.59	11.275	11.17043
increasing	60	4.05	7.09	3.04	0.844444	0.836612	53.03	48.98	13.60556	13.47937
increasing	80	5	8.74	3.74	1.038889	1.029253	61.19	56.19	15.60833	15.46357
increasing	100	5.97	10.3	4.33	1.202778	1.191622	68.28	62.31	17.30833	17.1478
decreasing	80	5.05	8.81	3.76	1.044444	1.034757	61.26	56.21	15.61389	15.46907
decreasing	60	4.09	7.23	3.14	0.872222	0.864132	53.46	49.37	13.71389	13.58669
decreasing	40	2.98	5.4	2.42	0.672222	0.665987	43.64	40.66	11.29444	11.18969
decreasing	30	2.37	4.4	2.03	0.563889	0.558659	37.49	35.12	9.755556	9.665074
decreasing	20	1.71	3.25	1.54	0.427778	0.42381	31.09	29.38	8.161111	8.085418

Equivalent area at $\Delta P=20Pa$ (C = 284.5) (increasing) A = 2243.1 mm²

Equivalent area at $\Delta P=20Pa$ (C = 284.5) (decreasing) A = 2300.3 mm²

