

Ordering Details

Part No.	Box QTY
----------	---------

DBA1-355N/BL	0001
DBA1-355N/BL/10	0010
DBA1-355N/BL/100	0100
DBA1-355N/WP	0001
DBA1-355N/WP/10	0010
DBA1-355N/WP/100	0100
DBA1-355N/7016	0001
DBA1-355N/7016/10	0010
DBA1-355N/7016/100	0100

Technical Information

Parts

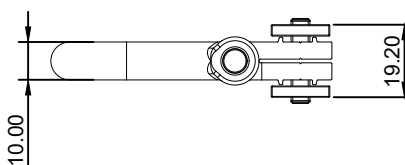
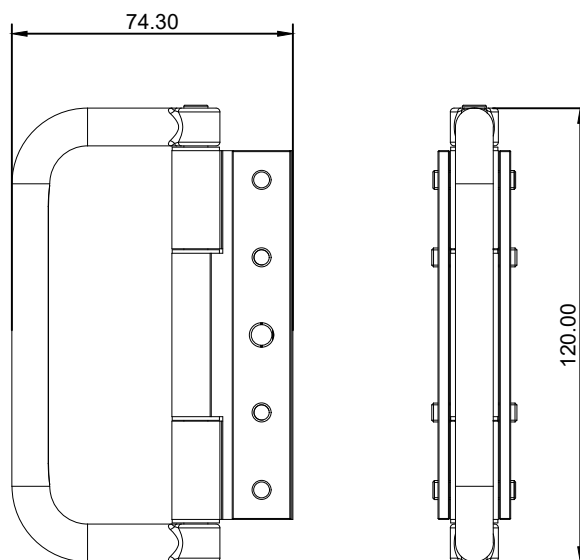
2 x Stainless steel 304 fixing plates;
4 x Socket head countersunk screws
(DIN 7991) M5x10mm in A2 stainless steel;
4 x Cone point grub screws
(DIN 914) M5x10mm in A2 stainless steel;
2 x Pozi countersunk self drilling screws
(DIN 7504) 4.8x25mm in A2 stainless steel;

Materials

D-handle: Zinc Alloy
Hinge leafs: Aluminium extrusion
Pivot pin: Stainless steel 304
Bushes: Grey nylon
Foam pad: Neoprene seal (Optional)

Finish

Powder coated in: RAL 9005
RAL 9016
RAL 7016



Features

- D-handle hinge designed for aluminium bi-folding door system
- Self lubricated bushes, no additional lubrication required
- Easy fixing to frame using stainless steel clamping plates
- Inhouse manufactured

Ordering Details

Part No.	Box QTY
----------	---------

DBA1-356N/BL	0001
DBA1-356N/BL/10	0010
DBA1-356N/BL/50	0050
DBA1-356N/WP	0001
DBA1-356N/WP/10	0010
DBA1-356N/WP/50	0050
DBA1-356N/7016	0001
DBA1-356N/7016/10	0010
DBA1-356N/7016/50	0050

Technical Information

Parts

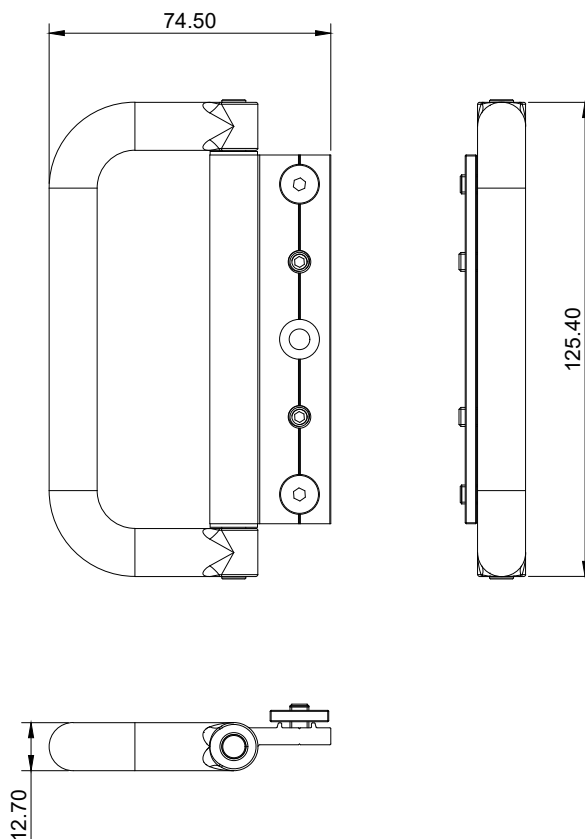
- 1 x Stainless steel 304 fixing plate;
- 2 x Socket head countersunk screws (DIN 7991) M5x10mm in A2 stainless steel;
- 2 x Cone point grub screws (DIN 914) M5x10mm in A2 stainless steel;
- 1 x Pozi countersunk self drilling screw (DIN 7504) 4.8x25mm in A2 stainless steel;

Materials

- D-handle:** Zinc Alloy
- Hinge leaf:** Aluminium extrusion
- Pivot pin:** Stainless steel 304
- Bushes:** Grey nylon
- Foam pad:** Neoprene seal (Optional)

Finish

- Powder coated in:** RAL 9005
- RAL 9016
- RAL 7016



Features

- D-handle hinge designed for aluminium bi-folding door system
- Self lubricated bushes, no additional lubrication required
- Easy fixing to frame using stainless steel clamping plates
- Inhouse manufactured