

## Winkhaus FGTE

Security double door locking system for timber, composite and aluminium doors



in  
Doors



# Winkhaus FGTE

## Security double door locking system for timber, composite and aluminium doors

The FGTE Lock is superbly engineered and manufactured in Germany. Established in 1854 Winkhaus is a market leader producing innovative security solutions to meet the challenges of tomorrows' rapidly changing security and ease of use requirements

Modern construction methods and advancing technologies continually present the consumer with the latest choice when purchasing a new door, whether it's the type of material, vibrant colours, level of security, glass design or even the size .

This is very apparent when considering Double Doors , where for example the replacement of the original doors on a character laden cottage may require a sympathetic and bespoke timber solution whilst still considering the 21st Century requirements of thermal performance and high security locking.

That same level of performance is also required for Double Doors that are contemporary and cutting edge with low maintenance benefits and availability in an array of different colours and styles, as offered by Composite and Aluminium Double Doors.

The latest trends which are often influenced by television programmes such as "Grand Designs" allow home builders to utilise such diversity in order to stand out and create houses and home extensions that are a statement of their style and personality. This is often reflected in a demand for very tall Double Doors.

Winkhaus have responded to these multiple requirements by producing the FGTE high security locking system for Timber, Aluminium and Composite doors. The FGTE is a product of flexibility, which amongst many benefits allows for the production of doors which are in excess of 3 metres tall!

The double handle solution offers the option of a Master lock with two high tensile steel hooks or the Thunderbolt Master with twin nickel plated alloy deadbolts, both options lock directly into the slave lock which has 8mm square tri-laminate shootbolts that locate into fully adjustable steel keeps at the head and cill.

The locking system has high anti-corrosion properties, Silver chrome 6 plating which achieves an impressive Grade 4 BS EN 1670 rating.

The versatility of the FGTE allows for a range of door sizes to be produced and the minimum and maximum door heights of this range are easily solved with use of the Winkhaus FGTE Excel Configurator which quickly and simply works out the parts that you require!





---

#### Key Features:

---

- + Door construction techniques the same as traditional joinery methods used in laminated engineered timber.
  - + Lever operated master lock options:
    - Two high tensile steel hooks, latch and deadbolt
    - Two twin nickel plated deadbolts, latch and deadbolt
  - + Shootbolts on slave door.
  - + Optional shootbolts on master door for tall doors.
  - + Lever operated 25mm throw security hooks help counter bow and twist and aid the easy operation of the locking system.
  - + For a traditional appearance handles are fitted to both slave and master door.
  - + Slave and Master door have independent cylinder locking capability and can be keyed alike using Winkhaus's extensive range of cylinder options.
  - + Slave backset options of 35mm, 45mm or 55mm.
  - + Shootbolts can be cropped to size to suit individual door leaf height.
  - + Fully adjustable centre latch striking plate +/- 2mm to prevent door edge damage.
  - + Locking point compression adjustment +/- 2mm.
  - + Fully adjustable shootbolt keeps +/- 2mm.
  - + Upper Security hook fitted in a lower position to allow for lower height double doors.
  - + Police 'Secured by Design' approved.
  - + Suitable for both inward and outward double doors.
-

# FGTE double door layout with slave shootbolts only

## Handle Rebate Heights - Slave Door Shootbolts

Min Handle Height	Max Handle Height	Bottom Slave Shootbolt
977mm <sup>A</sup>	1050mm <sup>B</sup>	STV-A 175/20
1040mm <sup>A</sup>	1247mm <sup>B</sup>	STV-A 372/20

A = Bottom slave shootbolt fully cropped  
 B = Bottom slave shootbolt non-cropped

## Door Rebate Heights - Slave Door Shootbolts

Min Rebate Height	Max Rebate Height	Top Slave Shootbolt	Top Extension VR 0/20 Qty
-------------------	-------------------	---------------------	---------------------------

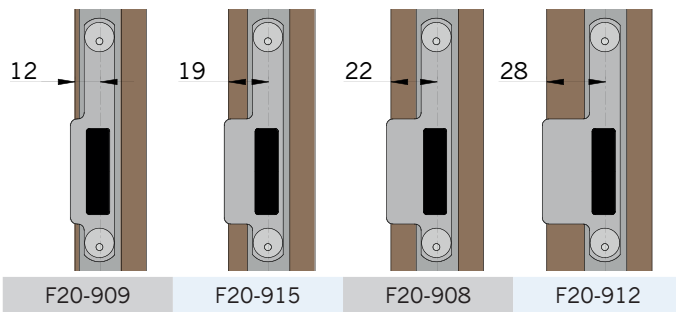
Handle Height = 1050mm (bottom Shootbolt = STV-A 372/20).  
 Sizes increase and decrease proportionally when increasing and decreasing the handle height

1891mm <sup>A</sup>	1964mm <sup>B</sup>	STV-A 175/20	0
1954mm <sup>A</sup>	2161mm <sup>B</sup>	STV-A 372/20	0
2162mm <sup>A</sup>	2611mm <sup>B</sup>	STV-A 372/20	1
2612mm <sup>A</sup>	3061mm <sup>B</sup>	STV-A 372/20	2

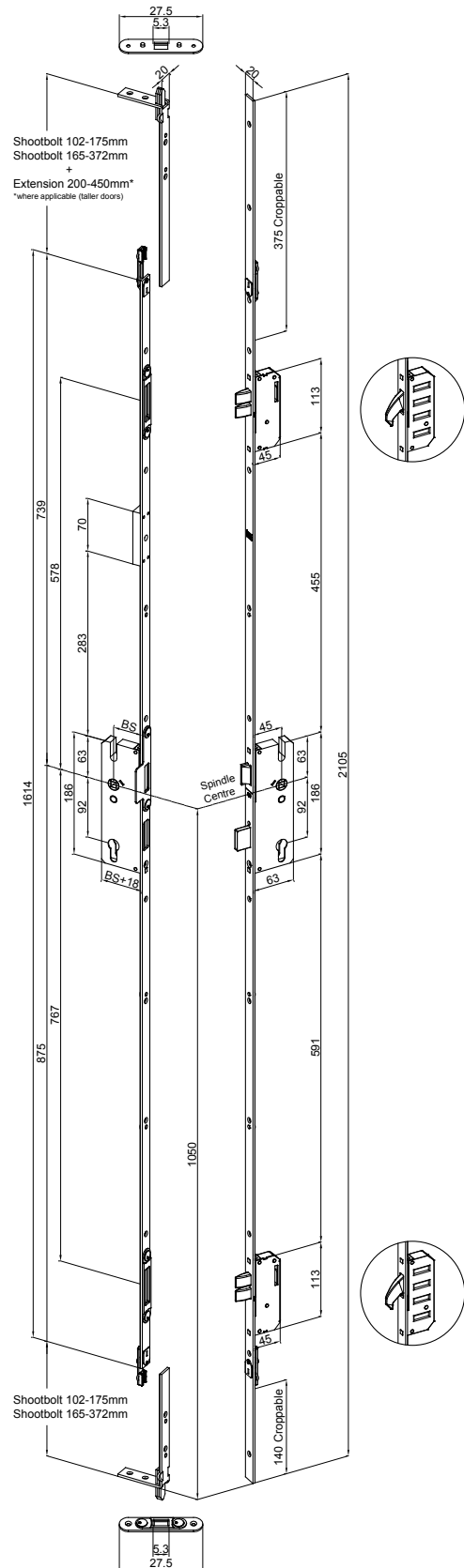
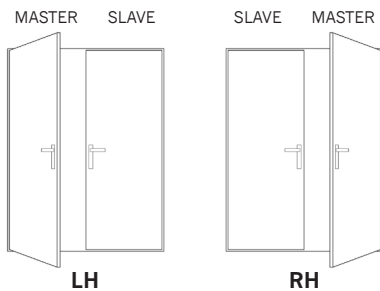
A = Top slave shootbolt fully cropped  
 B = Top slave shootbolt non-cropped

High Security

## Slave Lock Centre Line



## Slave Lock Handing

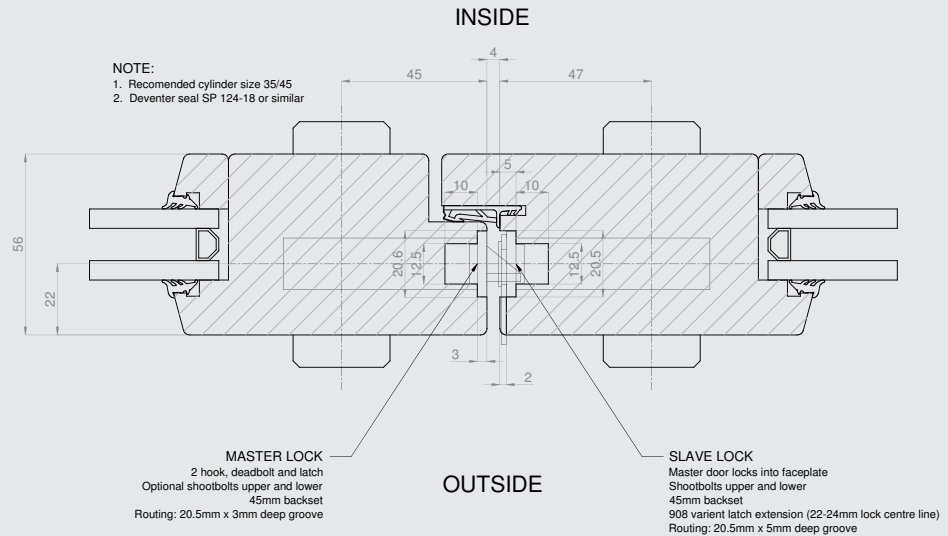




# FGTE double door locking system for timber and composite doors

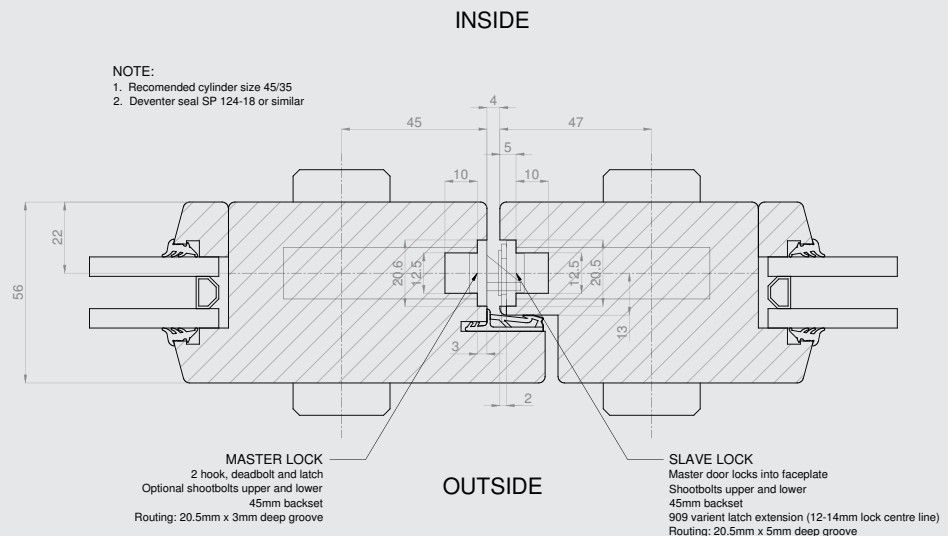
## Option 1

FGTE Locking System  
- Inside flush rebate



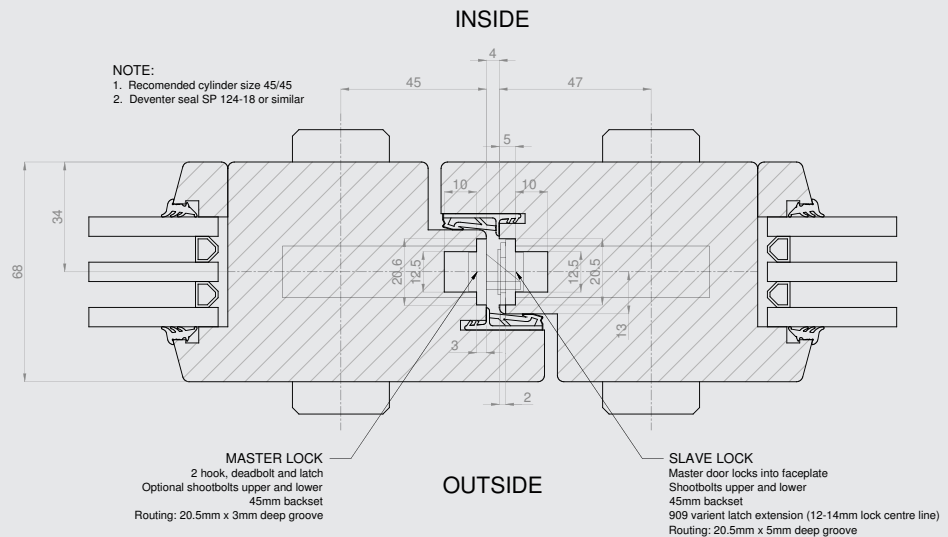
## Option 2

FGTE Locking System  
- Outside flush rebate



## Option 3

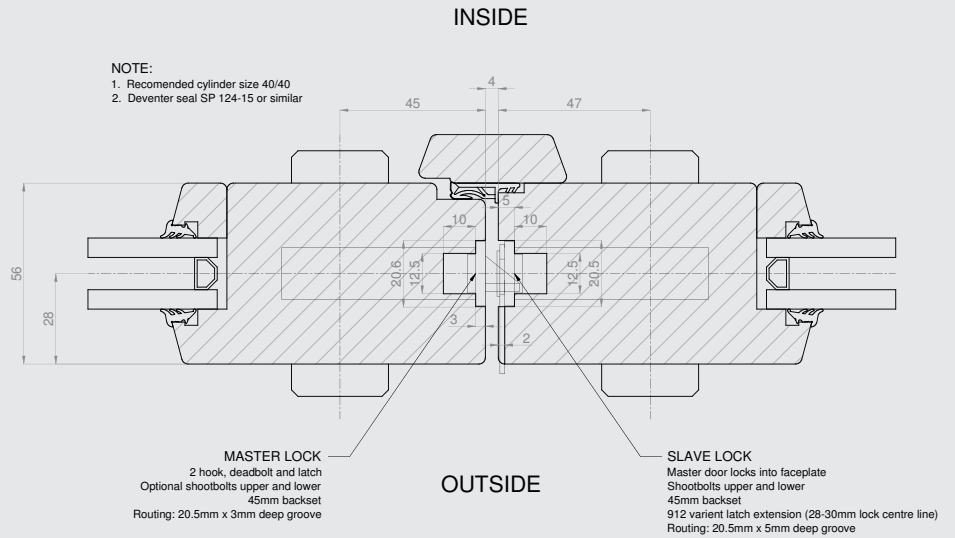
FGTE Locking System  
- Double flush rebate





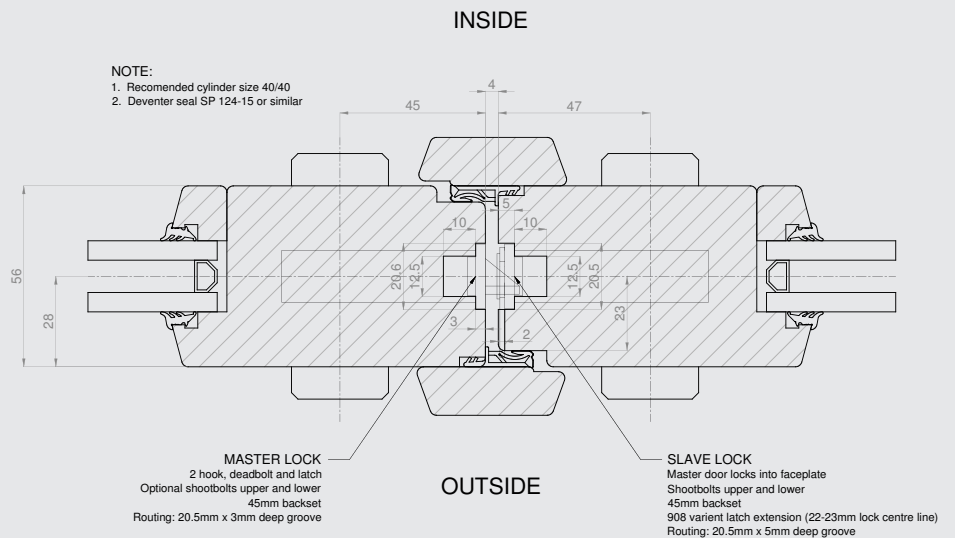
## Option 4

FGTE Locking System  
- Inside false mullion



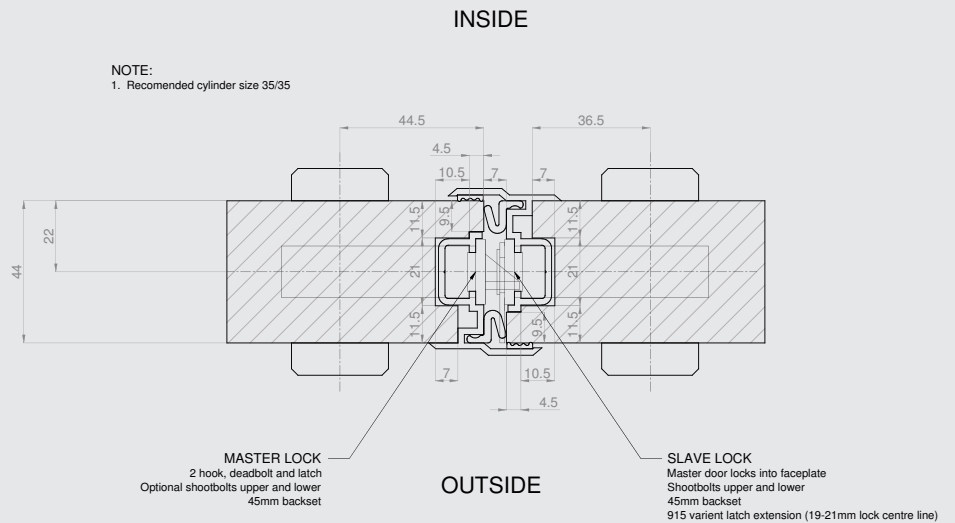
## Option 5

FGTE Locking System  
- Double false mullion



## Option 6

FGTE Locking System  
- Aluminium meeting stile



Winkhaus UK Ltd

2950 Kettering Parkway, Kettering,  
Northants NN15 6XZ

Tel: +44 (0)1536 316000

Fax: +44 (0)1536 416516

[www.winkhaus.co.uk](http://www.winkhaus.co.uk)

email: [enquiries@winkhaus.co.uk](mailto:enquiries@winkhaus.co.uk)