

DO NOT SCALE

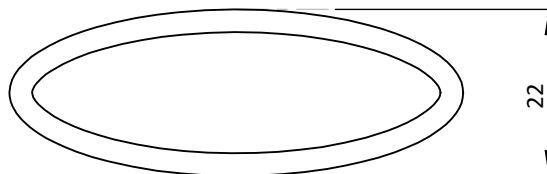
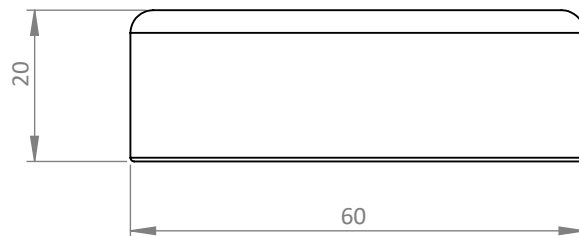
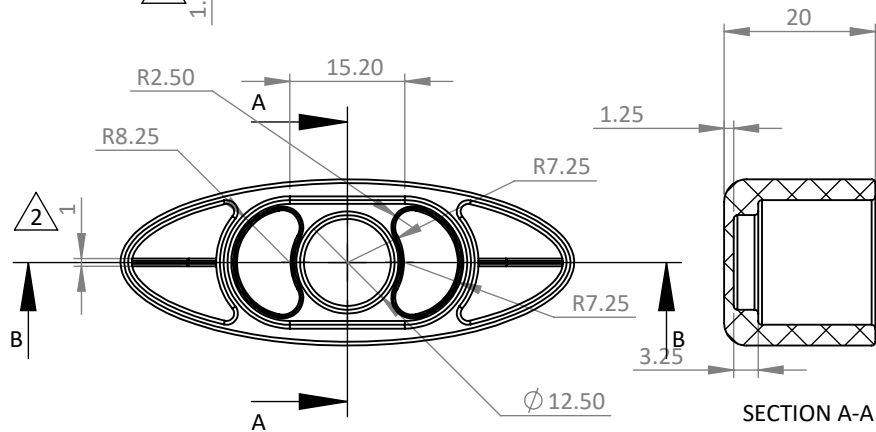
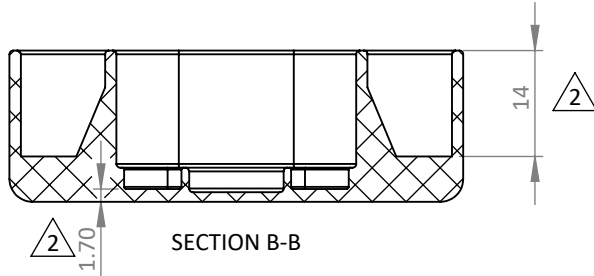
FIRST ANGLE PROJECTION



ALL DIMENSIONS IN MILLIMETERS

**REVISIONS**

REV.	DESCRIPTION	DATE
1	FIRST ISSUE FOR PRODUCTION (P2238)	30/06/2023
2	Lightening out changed to avoid shrinkage	03/07/2023
3	FINISH WAS BLACK. NOW GREY - HIGH GLOSS - 424C (PS)	18/10/2023



Part No.

**9928**

MATERIAL

NYLON 6 OR ABS

TREATMENT & FINISH

GREY - HIGH GLOSS - 424C

WEIGHT

7.92 Grams

TOLERANCE

+/- 0.10mm Unless Stated

TITLE

**THUMB TURN ASSISTER**

DRAWN

SC

**A4**

DWG NUMBER

**C-9928**

ISSUE

**3**

DATE

29/09/2022



Ingenious  
Locks &  
Hardware