

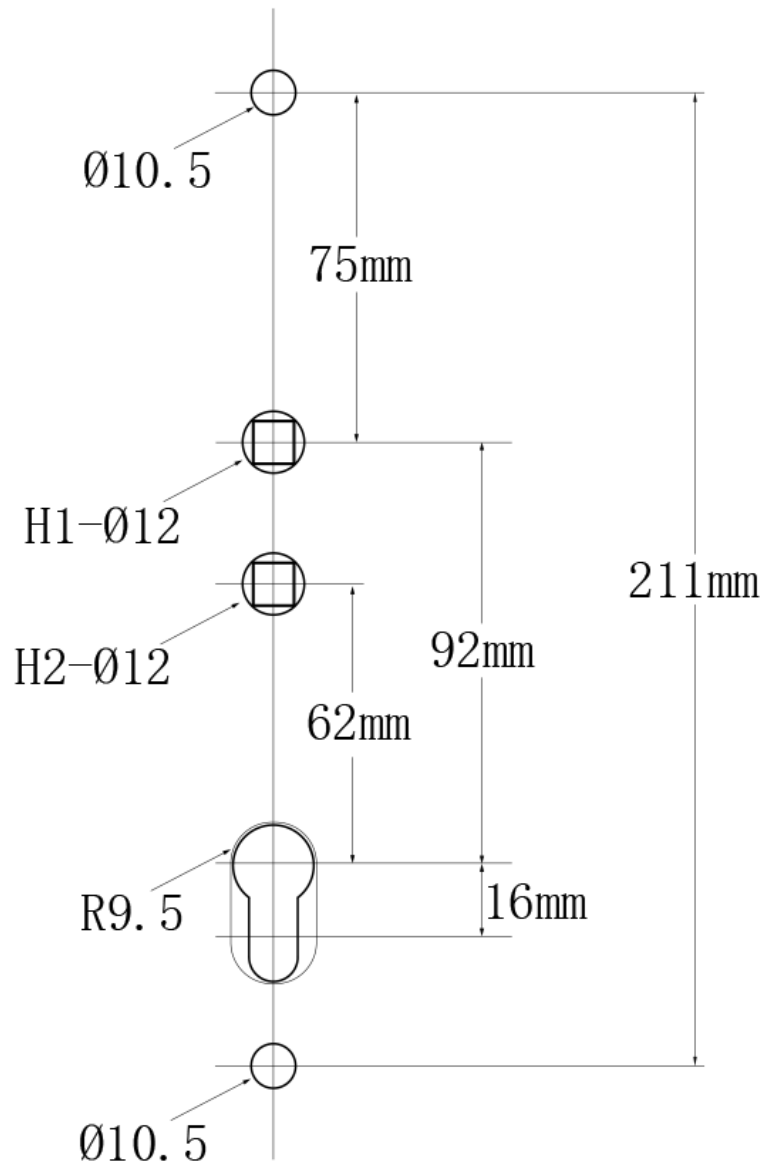
MK2 LBP DOOR HANDLE ROUTING DETAIL

Inline Lever/Lever Supplied
With:

- 1 x 110mm Spindle
- 2 x 75mm M5 Screws
- 2 x 85mm M5 Screws

Offset Lever/Pad Supplied With:

- 2 x 74mm Spindle
- 2 x 94mm Spindle
- 2 x 58mm M5 Screws
- 2 x 85mm M5 Screws



H1 - For Inline Lever/Lever and Lever/Pad
H2 - For Offset Lever/Lever and Lever/Pad