



STAINLESS STEEL PULL BARS



PRODUCT DESCRIPTION

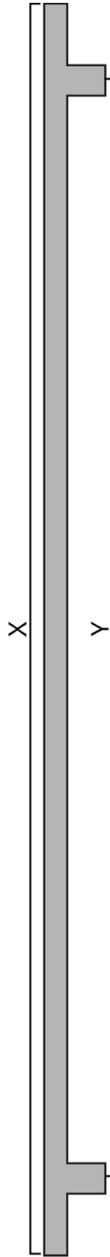
Made from high quality, 316 grade stainless steel, the Superior 25 Stainless Steel pull bars features unrivalled corrosion resistance and a sleek, contemporary design. The range includes inline, offset, single, paired and square variations.

FEATURES & BENEFITS

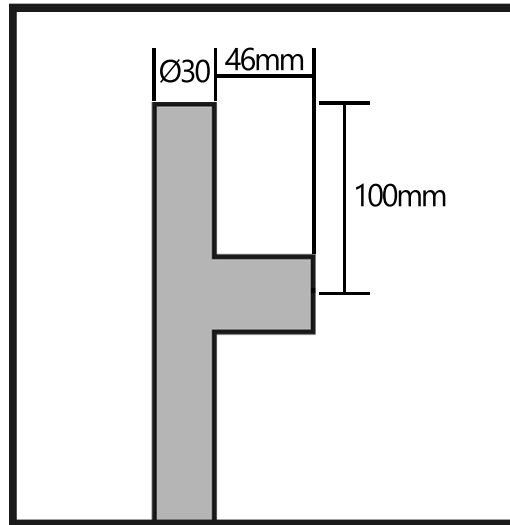
- Elegant ergonomic design with superior aesthetics
- Part of the fully suited Superior 25 Range
- Available in inline, offset, singles, pairs and square variants
- 25 Year coating guarantee
- Coating tested to BS.EN: 2007 Grade 5



STAINLESS STEEL PULL BARS



X	Y
1800mm	1600mm
1500mm	1300mm
1200mm	1000mm
900mm	700mm
600mm	400mm
400mm	200mm



PACKAGING

Each outer box contains 5 individually boxed bars, each with fixings included.

MAINTENANCE

To maintain a high quality appearance and operation we recommend that all external hardware is cleaned routinely, and moving parts are lightly lubricated a minimum of twice a year. Products used within a 1 mile radius of coastal areas, building sites or large industrial areas, more regular cleaning will be required to prevent build up of corrosive contaminants.