

EXTENDED LEVER PATIO HANDLE



PRODUCT DESCRIPTION

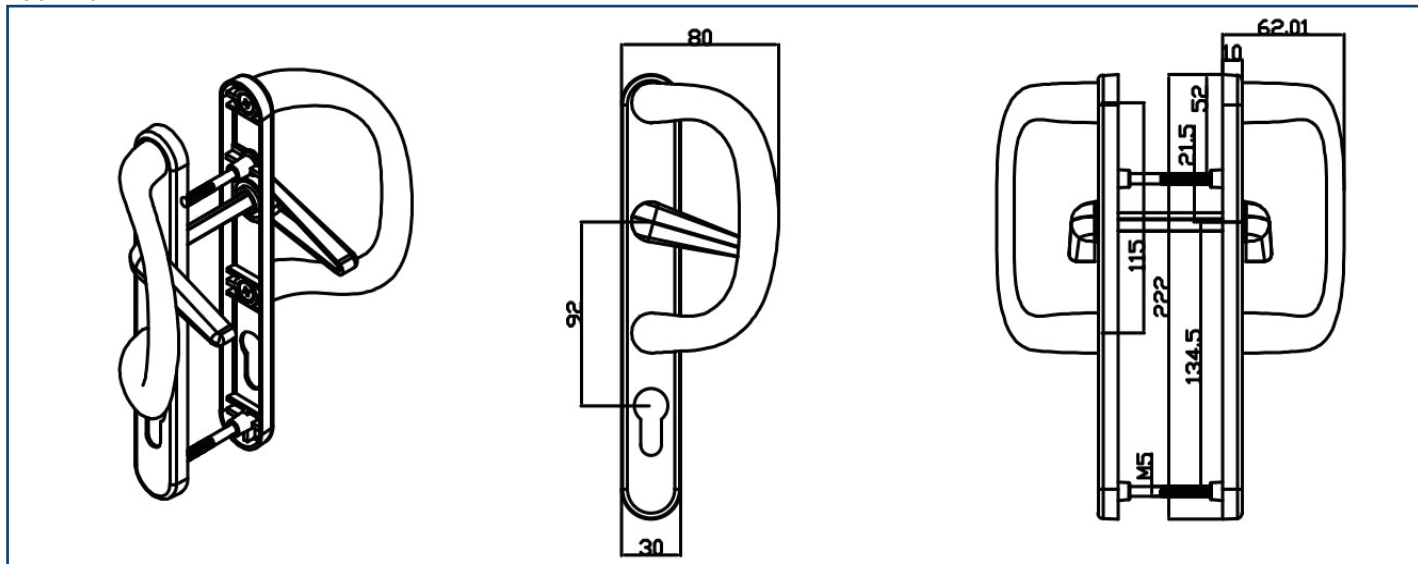
With a modern, stylish design, the Quantum Extended Lever Patio Handle features symmetrical grips, making it suitable for left and right handed use. The handle is durable and robust, and comes with a 10 year mechanical guarantee. Available in a choice of nine finishes.

FEATURES & BENEFITS

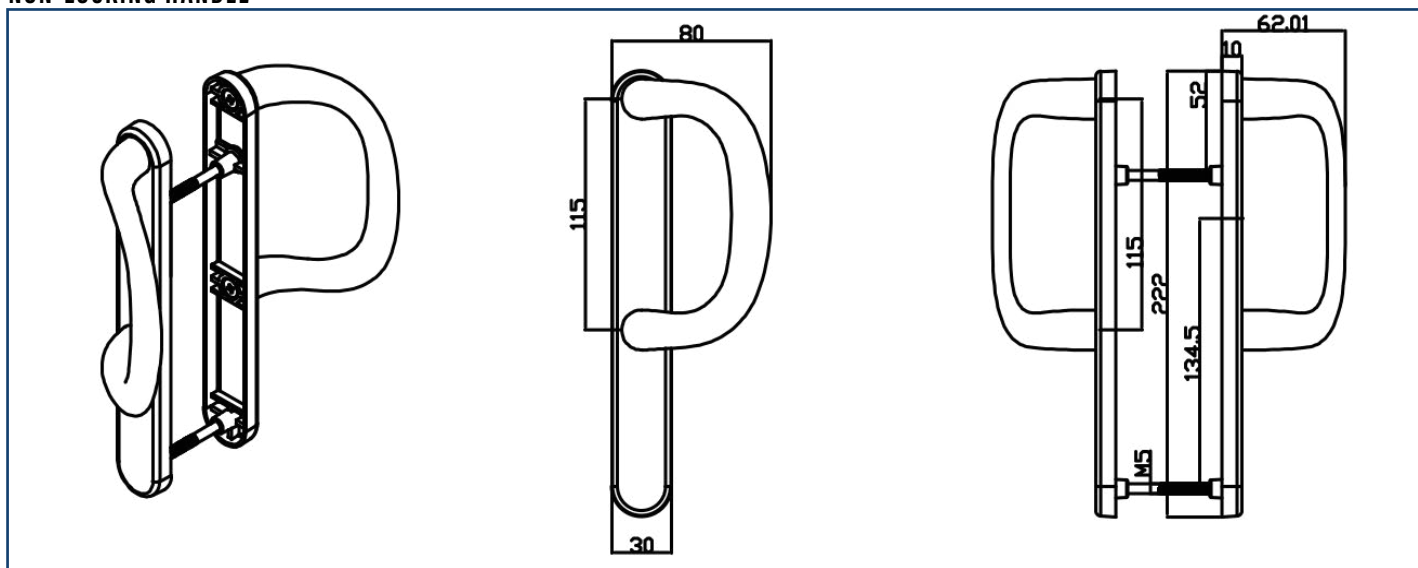
- Elegant yet robust design
- Part of the fully suited Quantum Range
- Extended lever for ease of operation without obscuring sightlines
- Locking, non-locking and external blanking plate options available
- Nine finishes available; White, Black, Chrome, Gold, Satin Silver, Flint, Tungsten, Anthracite Grey and Antique Black
- Symmetrical design allowing the handle to be either left hand or right hand as required
- 10 Year mechanical guarantee
- 10 Year surface guarantee on powder coated finishes, 5 Year surface guarantee on plated finishes
- Coating tested to BS.EN: 2007 Grade 5
- Bespoke Liniar product available

EXTENDED LEVER PATIO HANDLE

LOCKING HANDLE



NON-LOCKING HANDLE



PACKAGING

Each outer box contains 10 individually boxed handles, each with screws and spindles included.

MAINTENANCE

To maintain a high quality appearance and operation we recommend that all external hardware is cleaned routinely, and moving parts are lightly lubricated a minimum of twice a year. Products used within a 1 mile radius of coastal areas, building sites or large industrial areas, more regular cleaning will be required to prevent build up of corrosive contaminants.