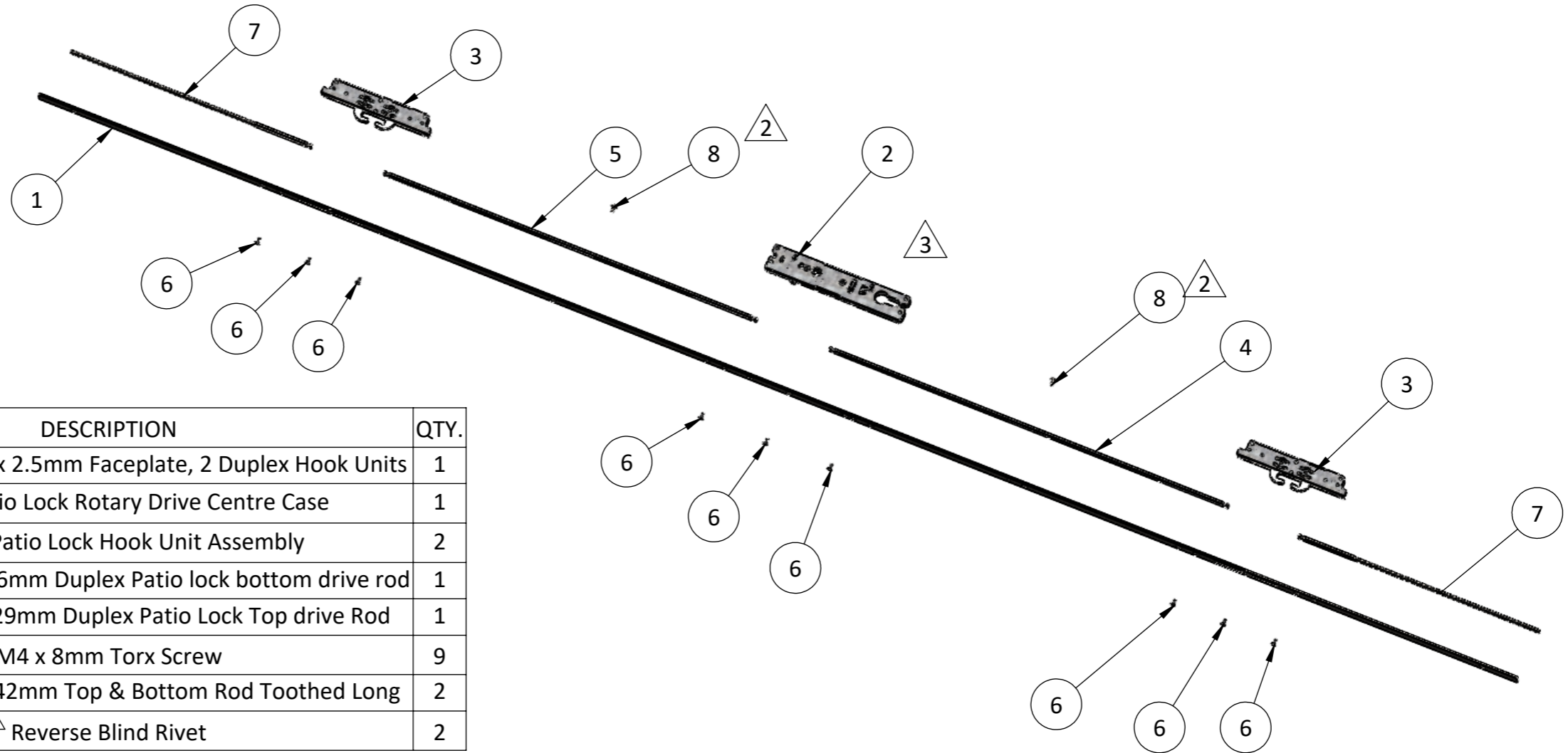
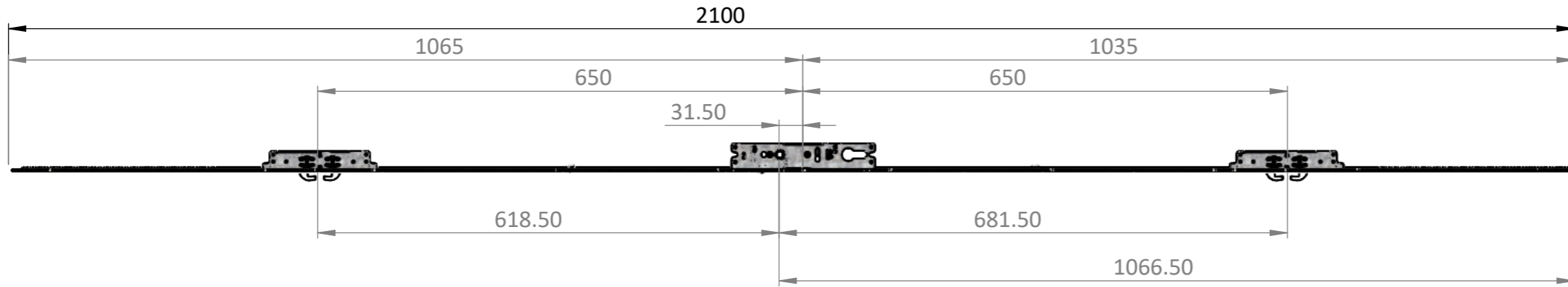


REVISIONS		
REV.	DESCRIPTION	DATE
2	Added 2 x C-1034 to assembly	29/10/2018
3	C-8045 Anti tamper plate removed	13/03/2019



ITEM NO.	PART NUMBER	DESCRIPTION	QTY.
1	C-8039	2100mm x 16mm x 2.5mm Faceplate, 2 Duplex Hook Units	1
2	CA-8003	Duplex Patio Lock Rotary Drive Centre Case	1
3	CA-8002	Duplex Patio Lock Hook Unit Assembly	2
4	C-8017	10mm x 3mm x 566mm Duplex Patio lock bottom drive rod	1
5	C-8018	10mm x 3mm x 529mm Duplex Patio Lock Top drive Rod	1
6	C-1045	M4 x 8mm Torx Screw	9
7	C-8040	10mm x 3mm x 342mm Top & Bottom Rod Toothed Long	2
8	C-1034	Reverse Blind Rivet	2



Part No.

**8006**

MATERIAL	xxx
TREATMENT & FINISH	xxx
WEIGHT	xxx Grams
TOLLERANCE	+/- 0.10mm Unless Stated

TITLE	
DRAWN	SC
DATE	14/11/2018

**Ingenious Duplex Patio Lock, Rotary Drive Centre Case, 2 Duplex Hook Units. Extendible**

FPL-8006

ISSUE  
**3**