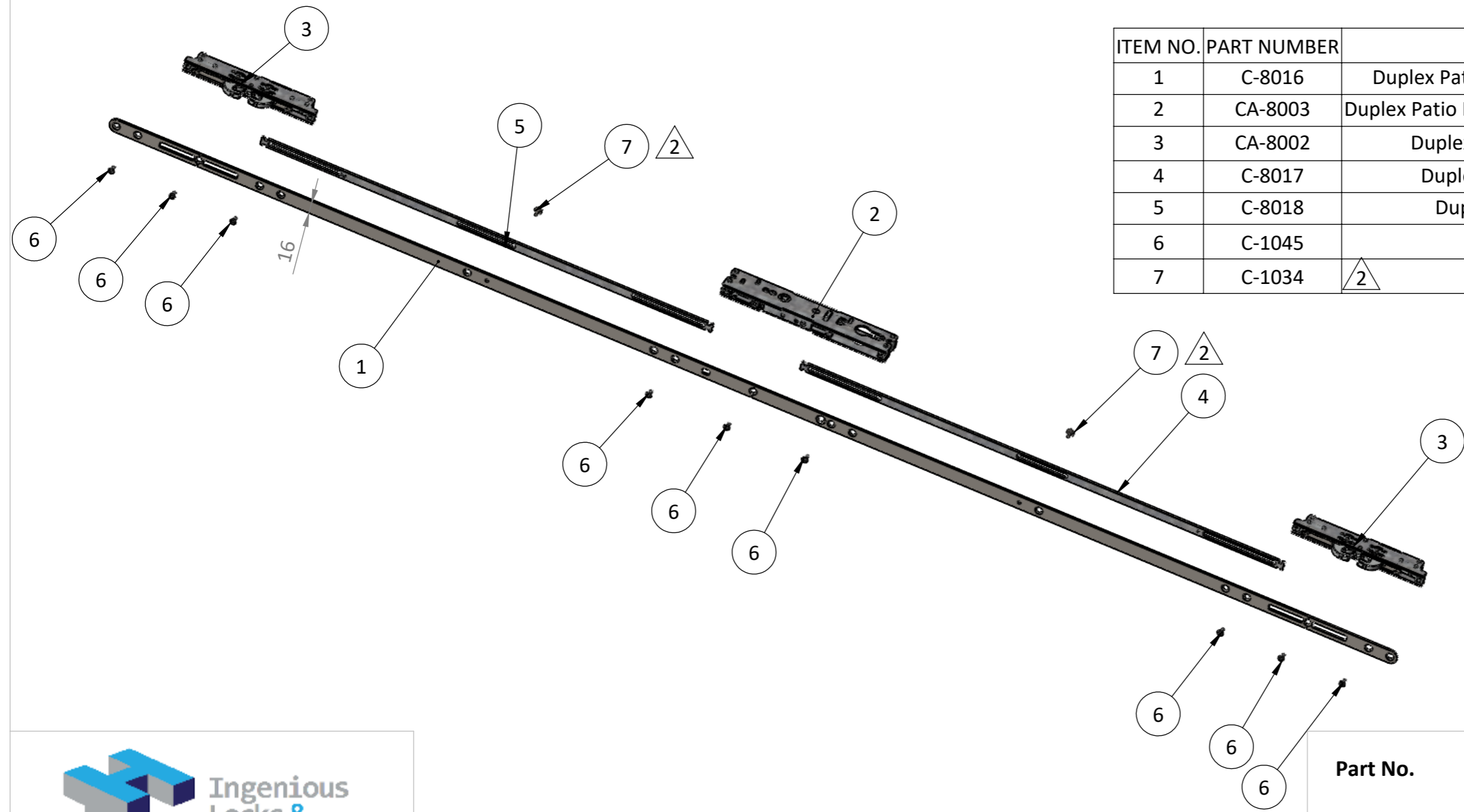
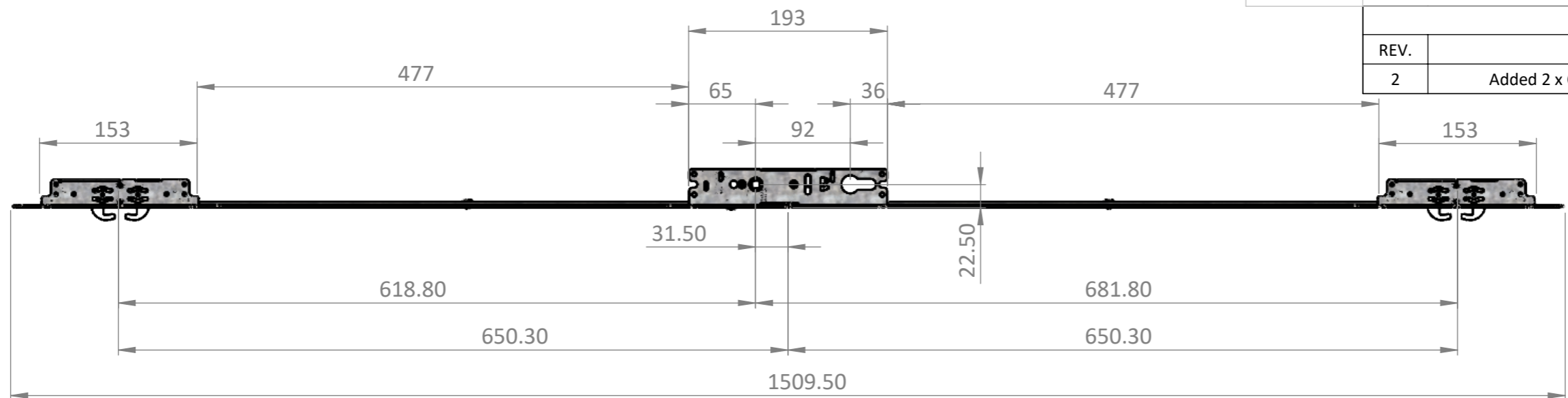


REVISIONS		
REV.	DESCRIPTION	DATE
2	Added 2 x C-1034 RIVETS TO ASSEMBLY	29/10/2018



ITEM NO.	PART NUMBER	DESCRIPTION	QTY.
1	C-8016	Duplex Patio Lock 16mm x 2.5mm SS Faceplate	1
2	CA-8003	Duplex Patio Lock Rotary Drive Centre Case Assembly	1
3	CA-8002	Duplex Patio Lock Hook Unit Assembly	2
4	C-8017	Duplex Patio Lock Bottom Drive Rod	1
5	C-8018	Duplex Patio Lock Top Drive Rod	1
6	C-1045	M4 x 8mm Torx Screw	9
7	C-1034	Reverse Blind Rivet	2



Part No. **8004**

MATERIAL	xxx	TITLE	Duplex Patio Lock, 16mm SS Faceplate, Rotary Drive Centre Case & 2 Duplex Hook Units		
TREATMENT & FINISH	xxx	DRAWN	CS	DWG NUMBER	
WEIGHT	xxx Grams	DATE	22/03/2017	A3	FPL-8004
TOLLERANCE	+/- 0.10mm Unless Stated				ISSUE 2