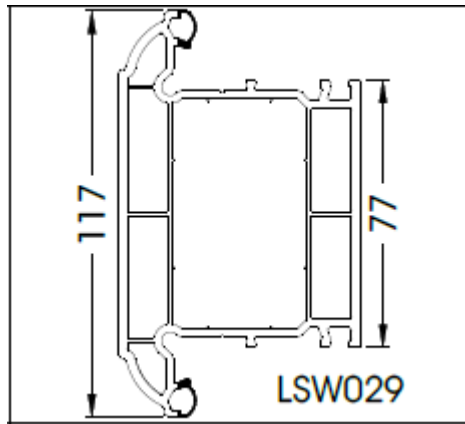
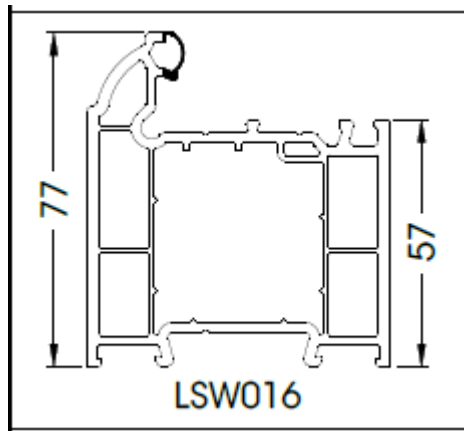
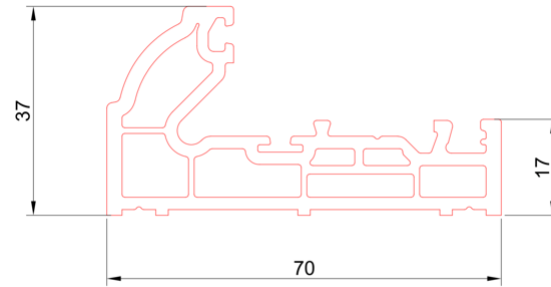
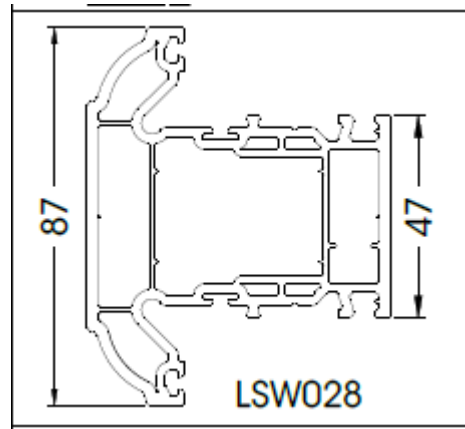
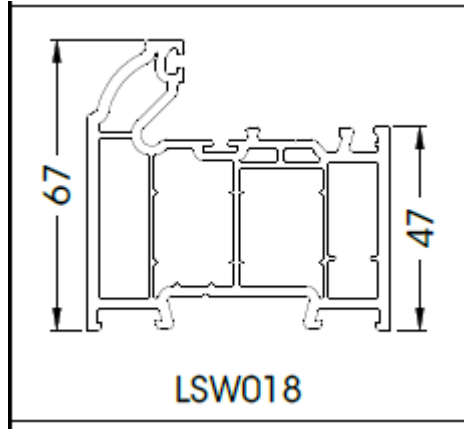


Sculptured Profile

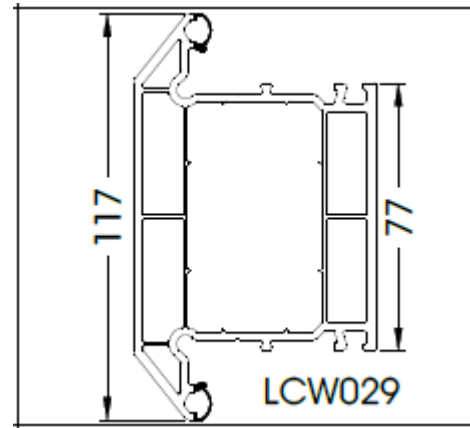
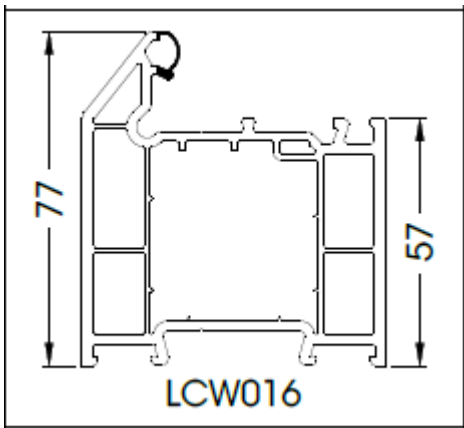
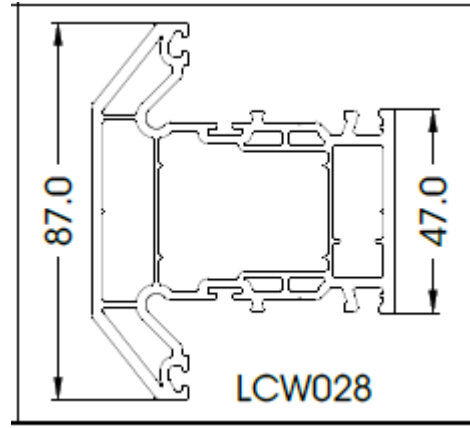
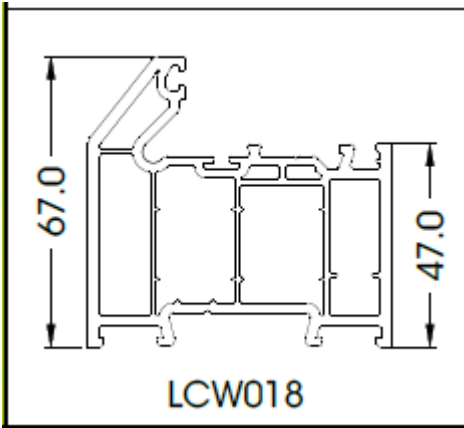


LSW018 – Main composite frame and side frame profile
LSW028 – transom for toplight/sidelight

**LSW016 – Coupled side frames with a letterplate/midrail.
**LSW029 - Midrail transom

**Only to be used with letterbox

Chamfered Profile



LCW018 – Main composite frame and side frame profile

LCW028 – Transom for toplight/sidelight

**LCW016 – Coupled side frames with a letterplate/midrail

**LCW029 – Midrail transom

**Only to be used with letterbox