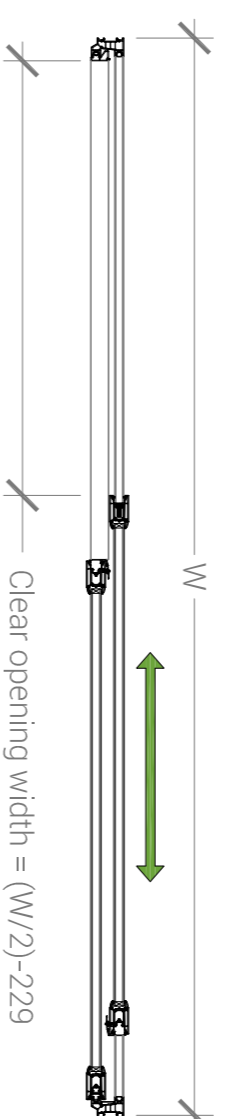
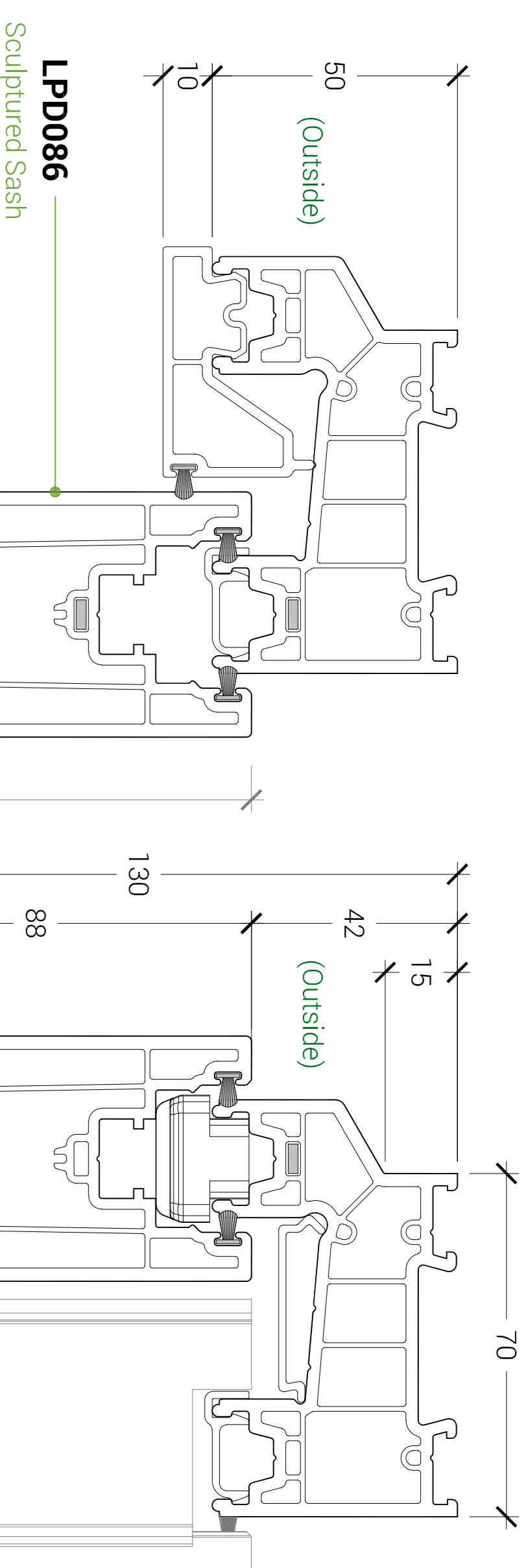


TYPICAL ELEVATION

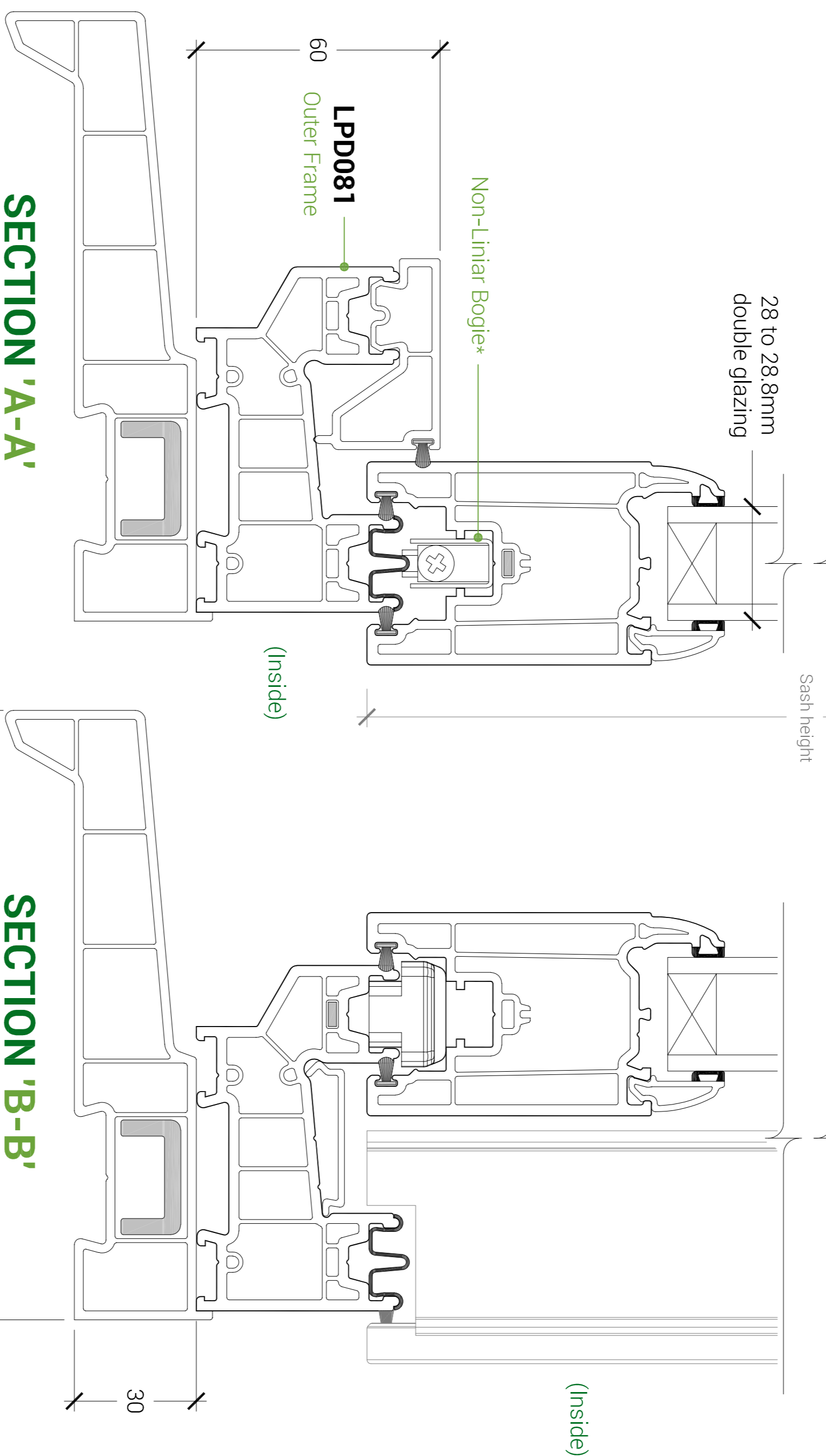
Viewed from Outside
Scale 1:20



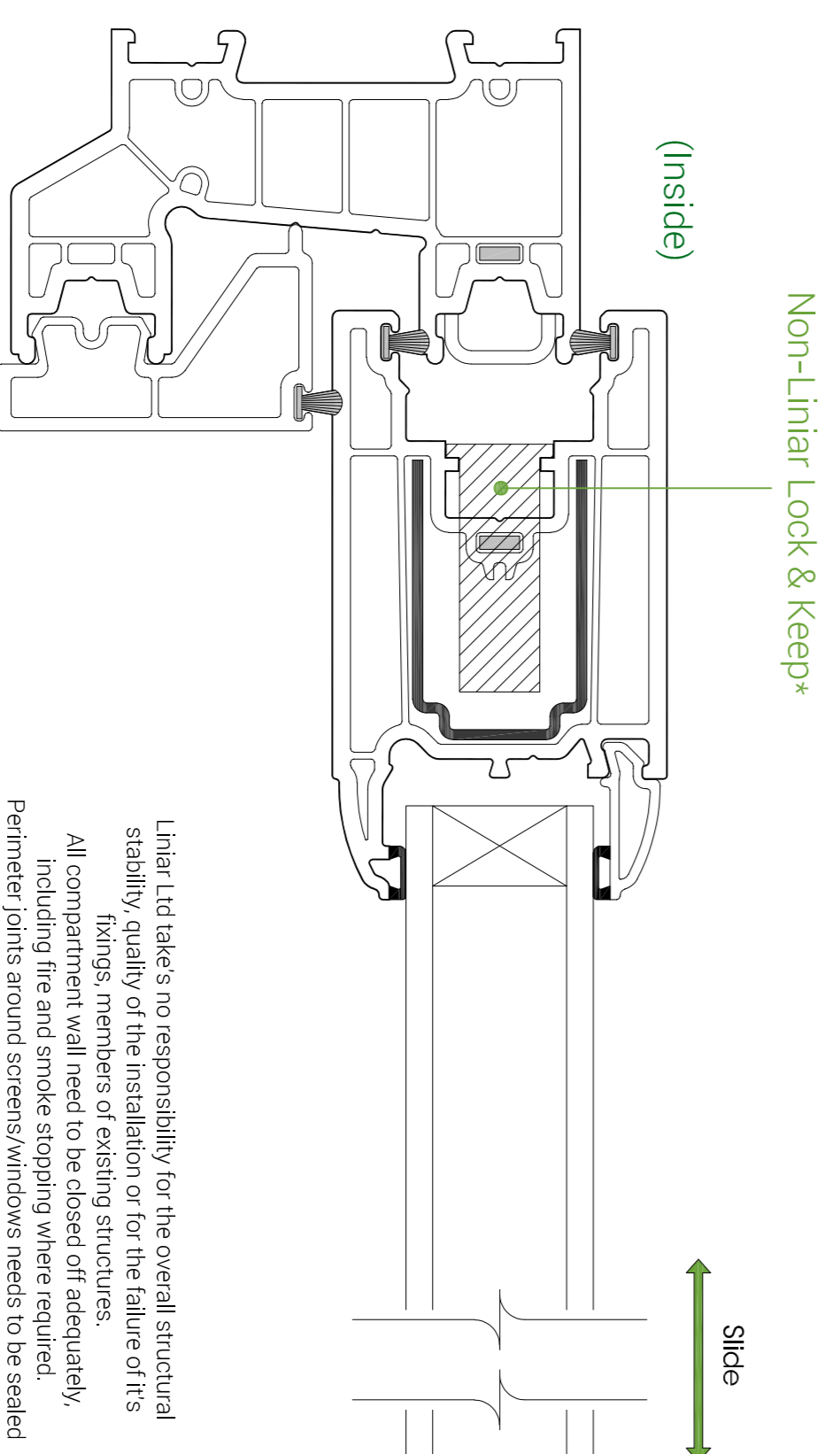
INTERNALLY GLAZED 2 PANE PATIO DOOR (X0/OX)



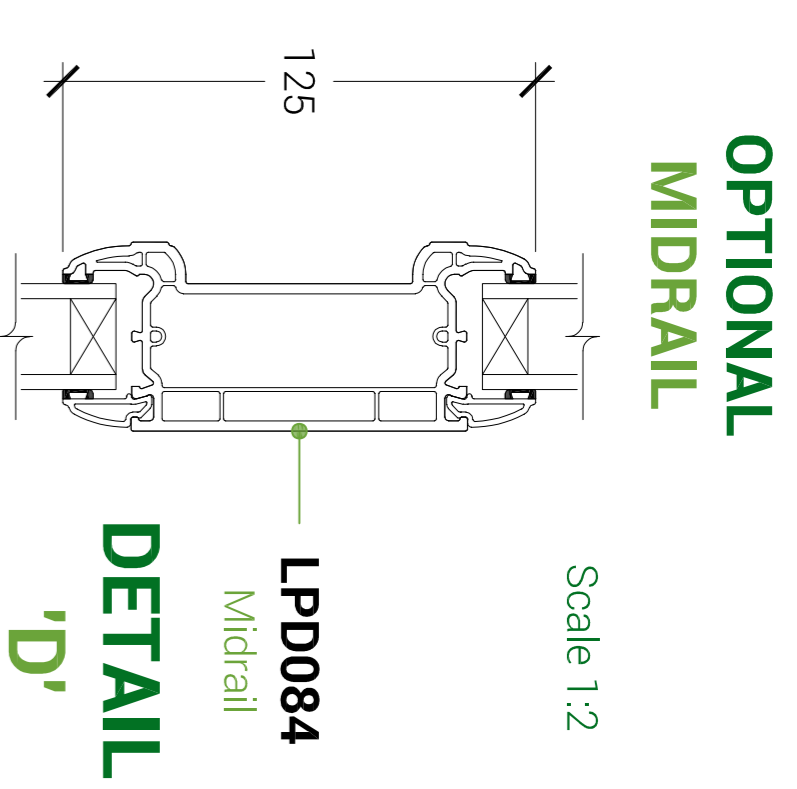
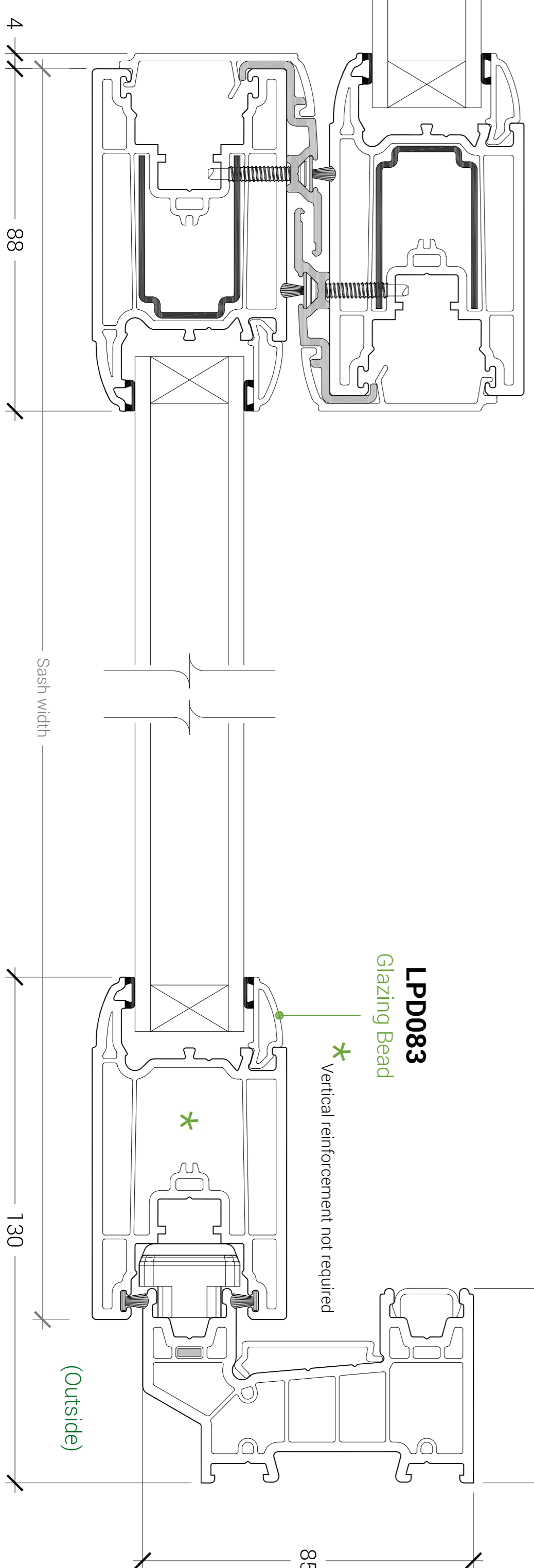
SECTION 'A-A'



SECTION 'B-B'



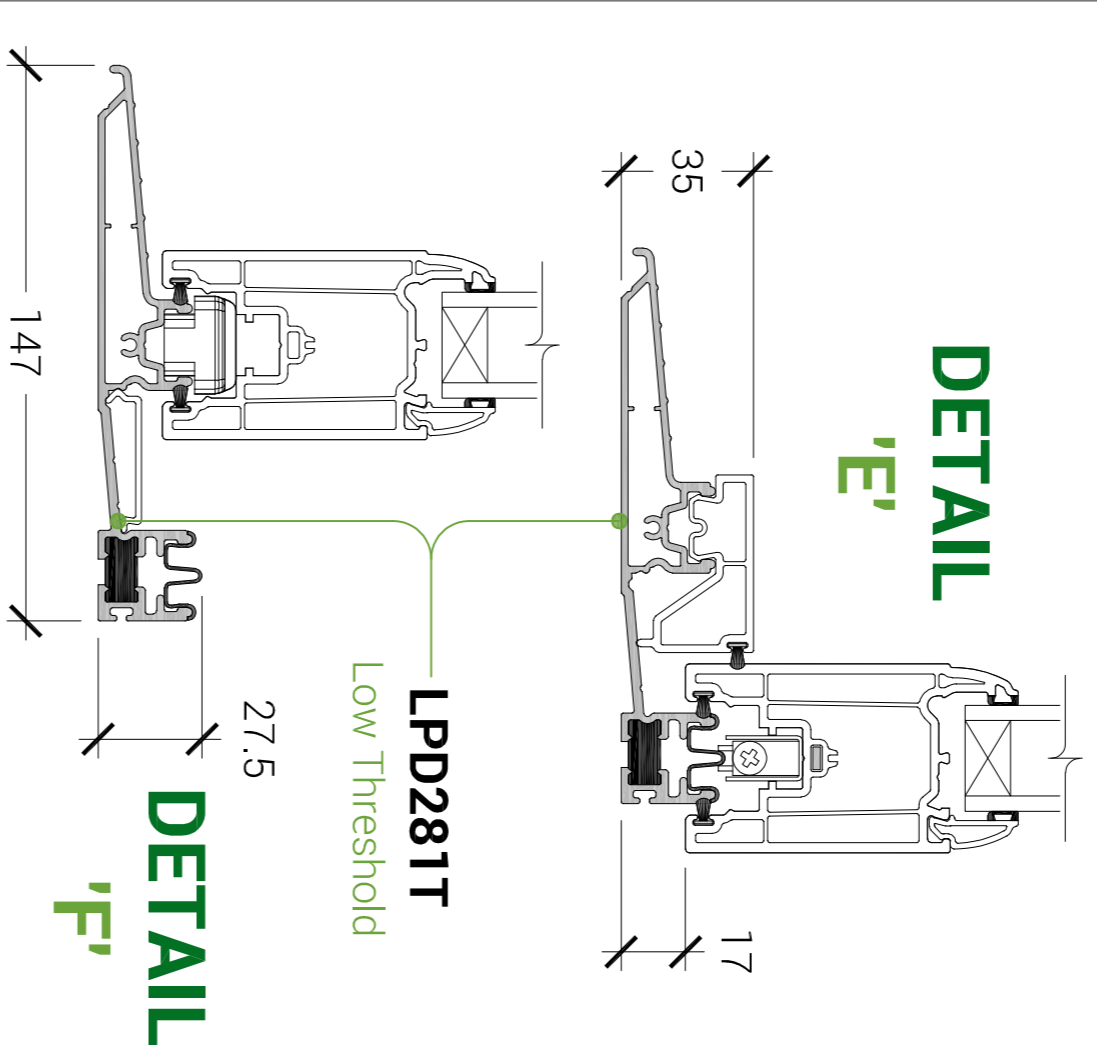
SECTION 'C-C'



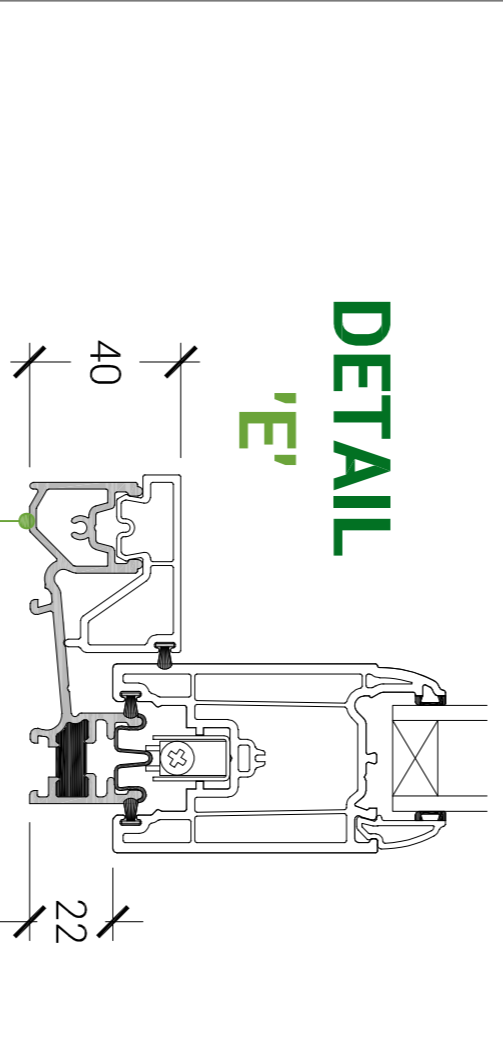
OPTIONAL MIDRAIL

Scale 1:2

OPTIONAL THRESHOLD DETAILS

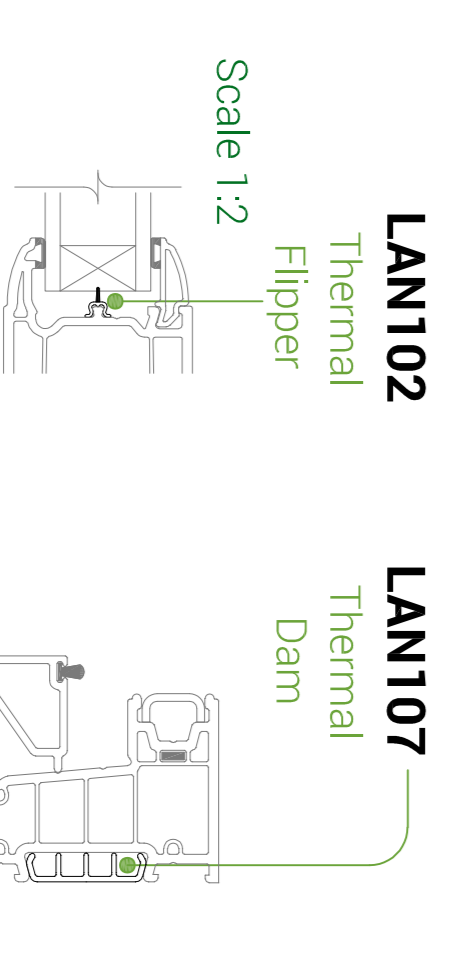


DETAIL 'E'



DETAIL 'E'

DETAIL 'F'



ADDITIONAL ENHANCEMENTS

Scale 1:2

Scale 1:2

Linor Ltd takes no responsibility for the overall structural stability, quality of the installation or for the failure of its fittings, members of existing structures. All compartment wall need to be closed off adequately, including fire and smoke stopping where required. Perimeter joints around screens/windows needs to be sealed and weather proofed appropriately.

* All hardware shown as reference only, and is not supplied by Linor. The Linor Patio system accepts most standard off-the-shelf hardware, and should be sourced by the fabricator.