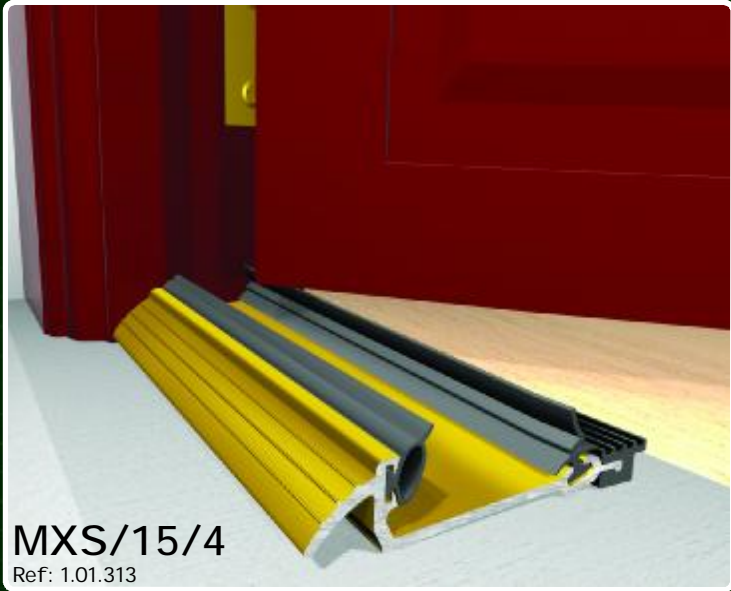
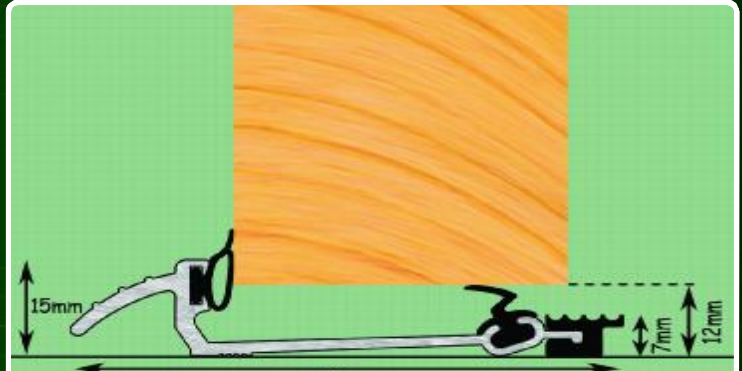


ADDITIONAL WEATHERBARS JAN' 09



MXS/15/4

Ref: 1.01.313



- For inward opening doors
- Accepts MWK striker block for flush bolts in double doors
- Rear thermal barrier prevents condensation
- Suitable for moderate exposure
- Available in Mill, Gold
- In sizes from 1M to 4590mm

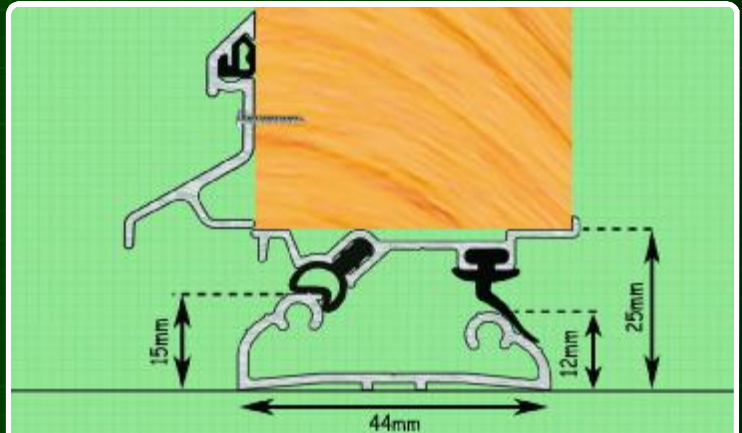


MVS (inward opening)

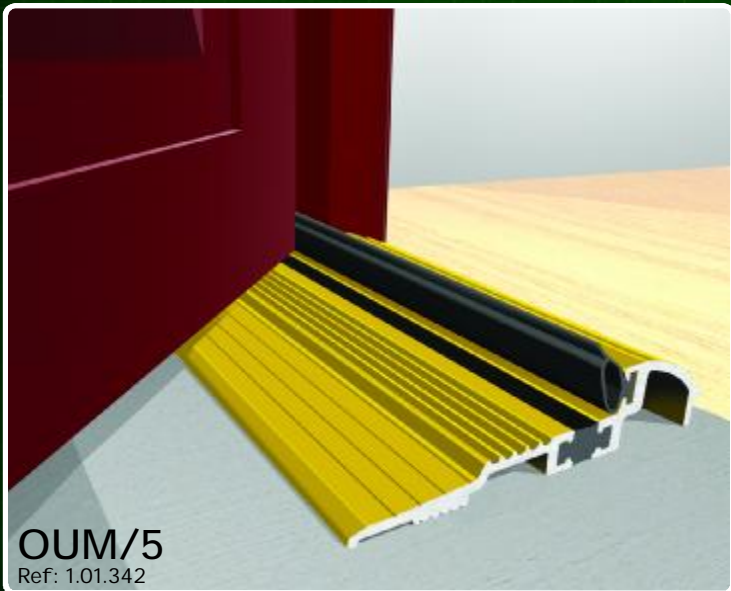
Ref: 1.01.540

MVS (outward opening)

Ref: 1.01.545

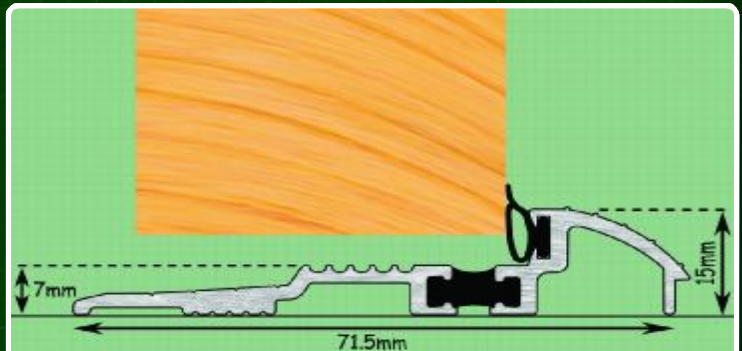


- For inward or outward opening doors
- Suitable for moderate exposure
- Available in Mill, Gold
- In sizes from 1M to 4590mm



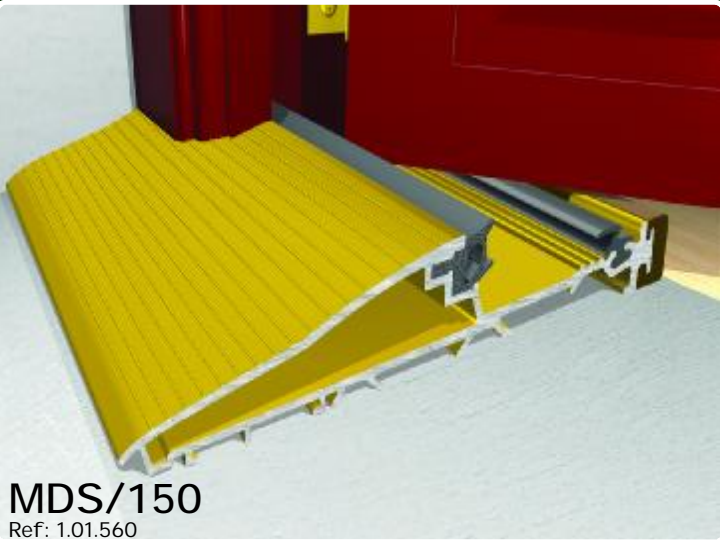
OUM/5

Ref: 1.01.342

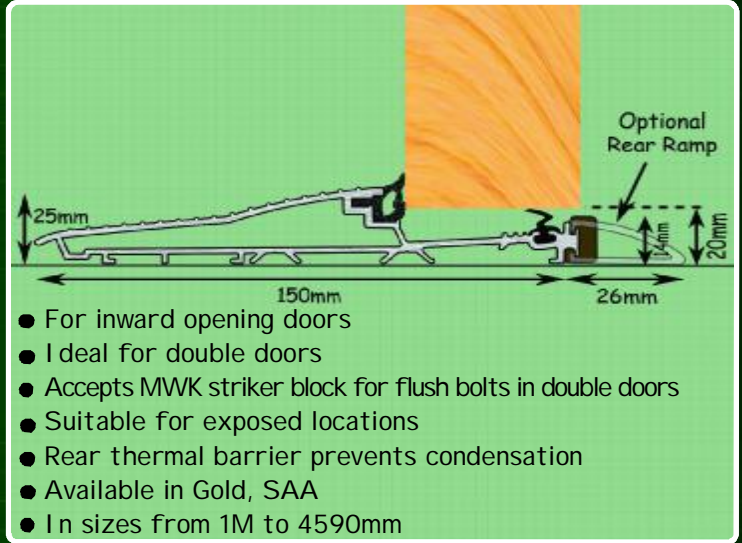


- For outward opening doors
- Ideal for double doors
- Accepts MWK striker block for flush bolts in double doors
- Thermal barrier prevents condensation
- Suitable for exposed locations
- Available in Mill, Gold
- In sizes from 1M to 4590mm

MDS 150



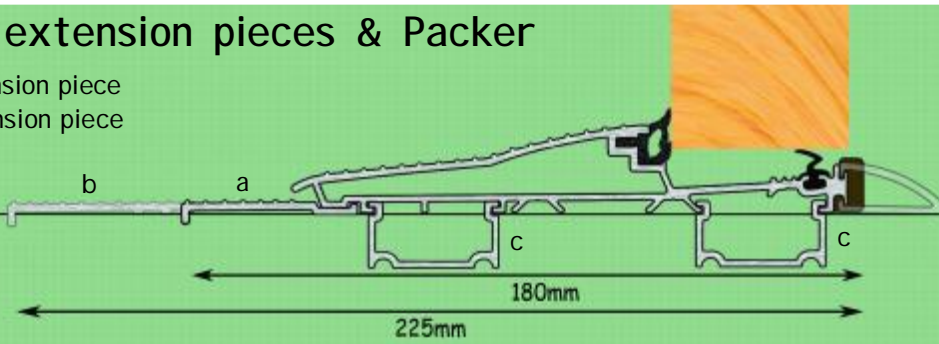
MDS/150
Ref: 1.01.560



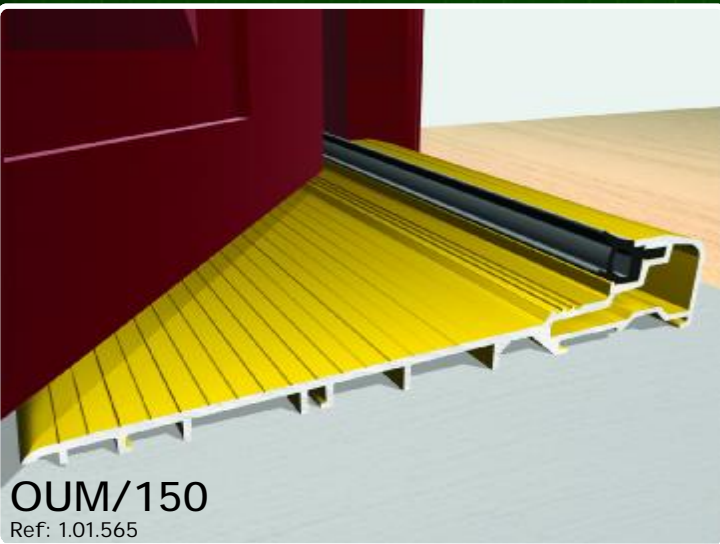
- For inward opening doors
- Ideal for double doors
- Accepts MWK striker block for flush bolts in double doors
- Suitable for exposed locations
- Rear thermal barrier prevents condensation
- Available in Gold, SAA
- In sizes from 1M to 4590mm

Optional extension pieces & Packer

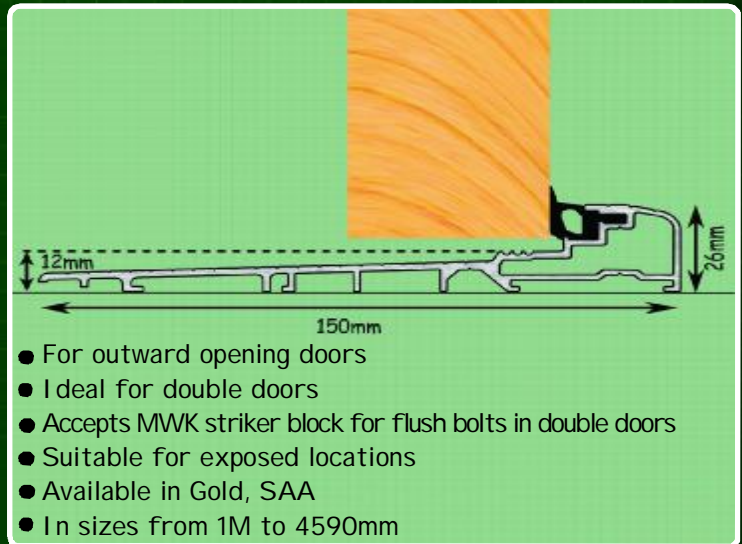
- a) 30mm extension piece
- b) 75mm extension piece
- c) I OR Packer



OUM 150



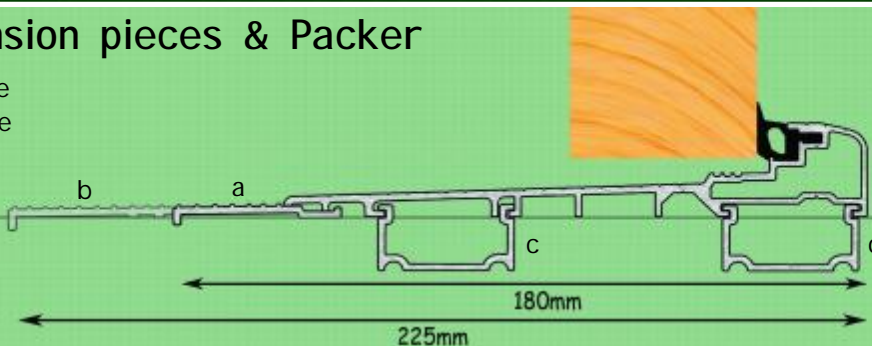
OUM/150
Ref: 1.01.565



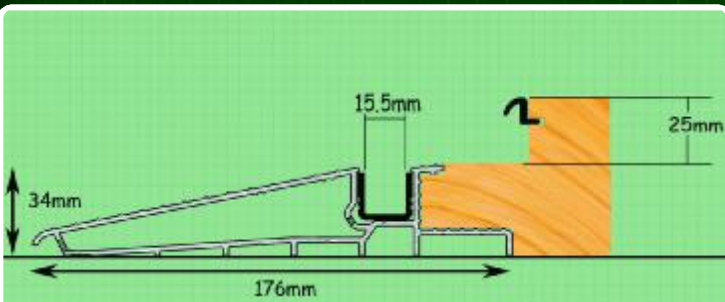
- For outward opening doors
- Ideal for double doors
- Accepts MWK striker block for flush bolts in double doors
- Suitable for exposed locations
- Available in Gold, SAA
- In sizes from 1M to 4590mm

Optional extension pieces & Packer

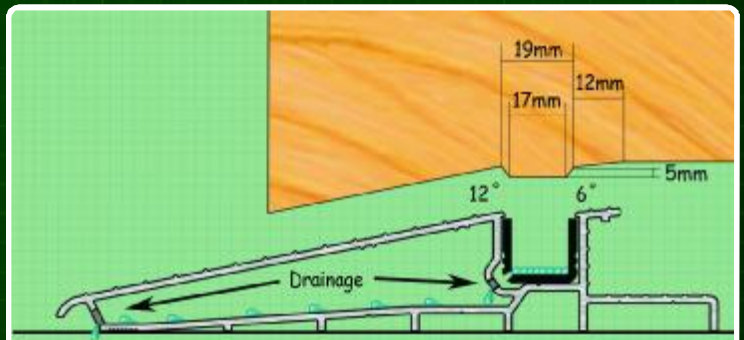
- a) 30mm extension piece
- b) 75mm extension piece
- c) I OR Packer



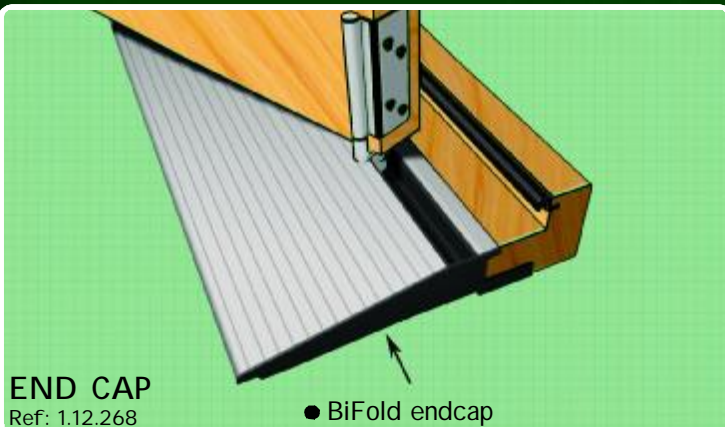
BiFOLD THRESHOLD FOR OUTWARD OPENING DOORS



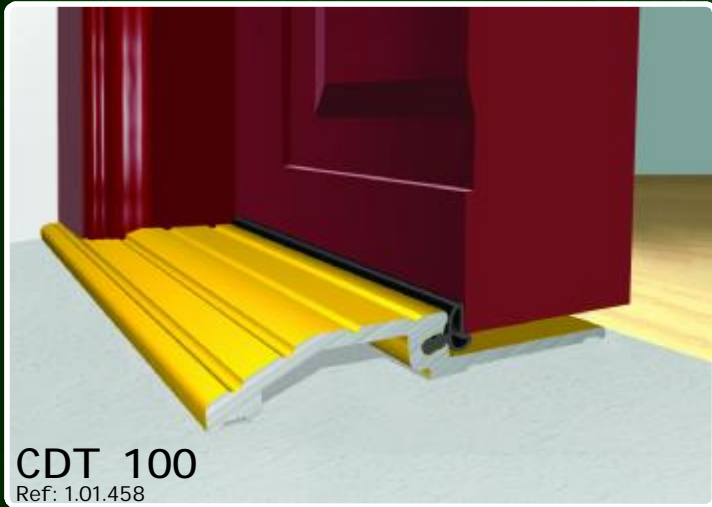
- For very exposed locations the rebate needs to be 25mm as per drawing
- For easy access rebate can be 15mm



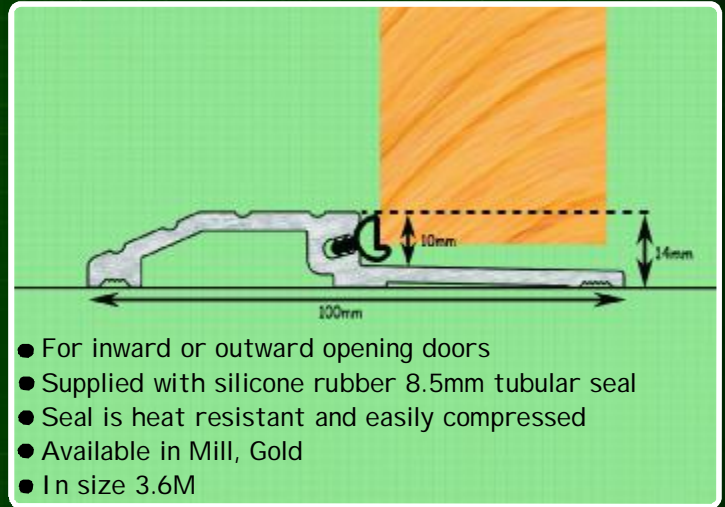
- Machining detail for doorframe.



CDT 100

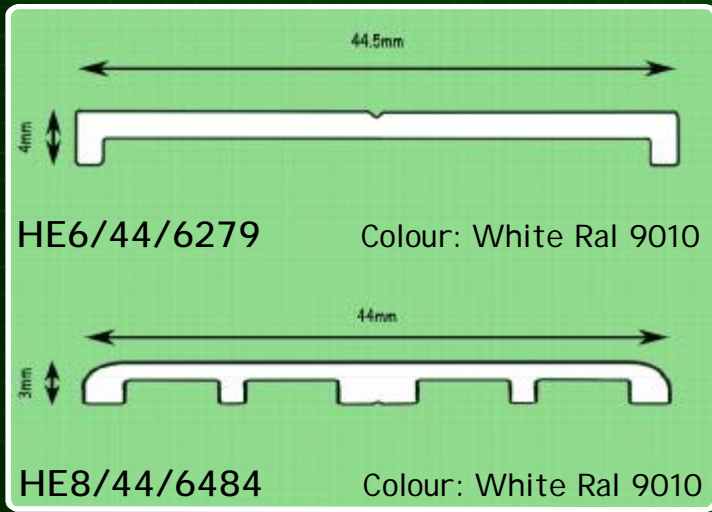


CDT 100
Ref: 1.01.458



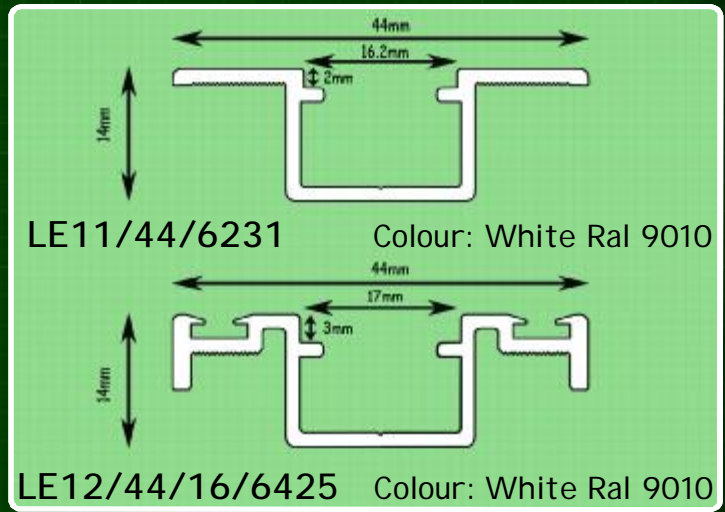
- For inward or outward opening doors
- Supplied with silicone rubber 8.5mm tubular seal
- Seal is heat resistant and easily compressed
- Available in Mill, Gold
- In size 3.6M

HINGE EDGES & LOCK EDGES



HE6/44/6279 Colour: White Ral 9010

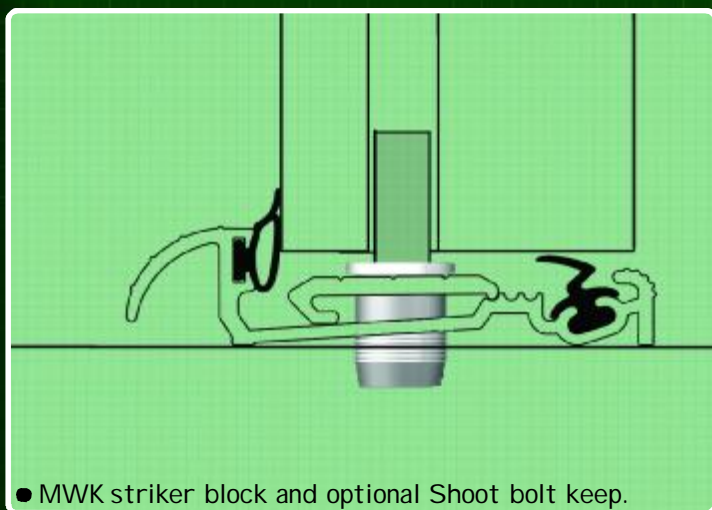
HE8/44/6484 Colour: White Ral 9010



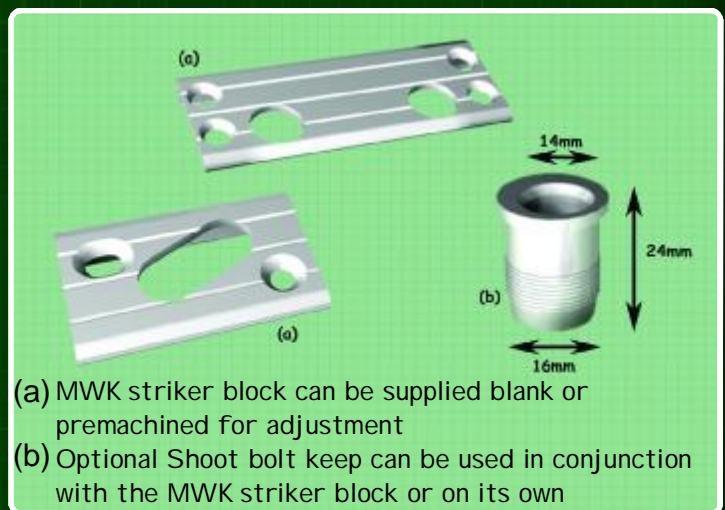
LE11/44/6231 Colour: White Ral 9010

LE12/44/16/6425 Colour: White Ral 9010

MWK STRIKER BLOCKS & ACCESSORIES



- MWK striker block and optional Shoot bolt keep.



- (a) MWK striker block can be supplied blank or premachined for adjustment
- (b) Optional Shoot bolt keep can be used in conjunction with the MWK striker block or on its own