



STAINLESS STEEL URN KNOCKERS



PRODUCT DESCRIPTION

Perfectly coordinated with the Endurance Stainless Steel range of door furniture, the knockers have been designed to complement any look of any door style. The Knockers are manufactured from 304 grade stainless steel and offer ultimate corrosion resistance for enhanced durability.

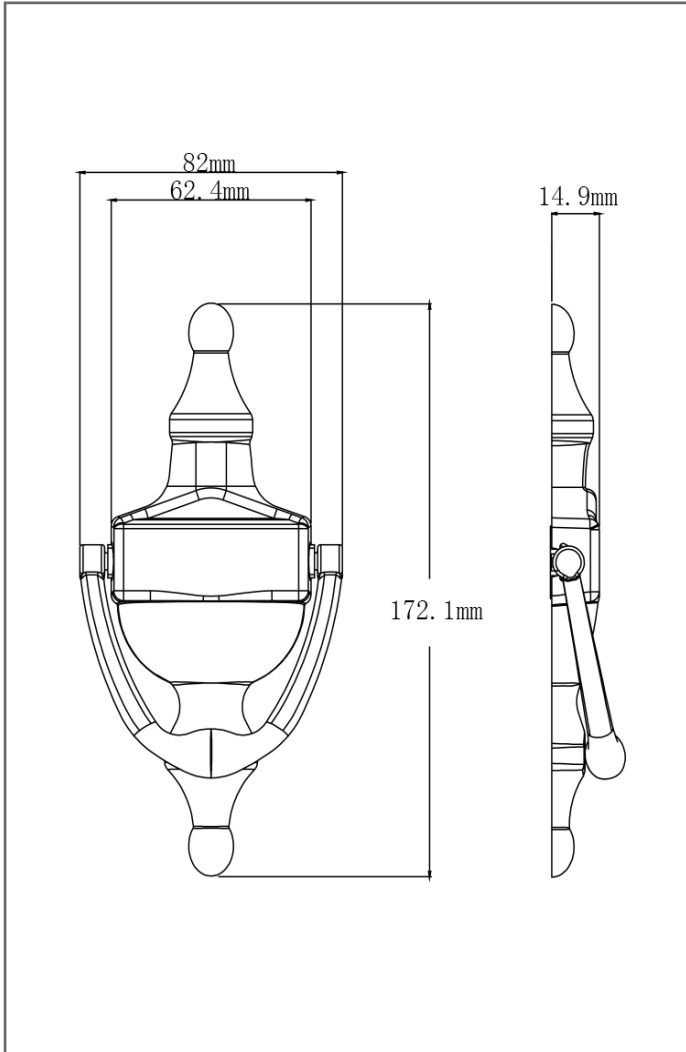
FEATURES & BENEFITS

- Part of the fully suited Endurance Range
- Manufactured from 304 Grade Stainless Steel
- Face fixed, no need to drill through the door
- Available with or without a spyhole
- Six finishes available; White, Black, Chrome, Gold, Brushed Stainless, and Flint
- 10 Year mechanical guarantee
- 25 Year surface guarantee
- Coating tested to BS.EN: 2007 Grade 5

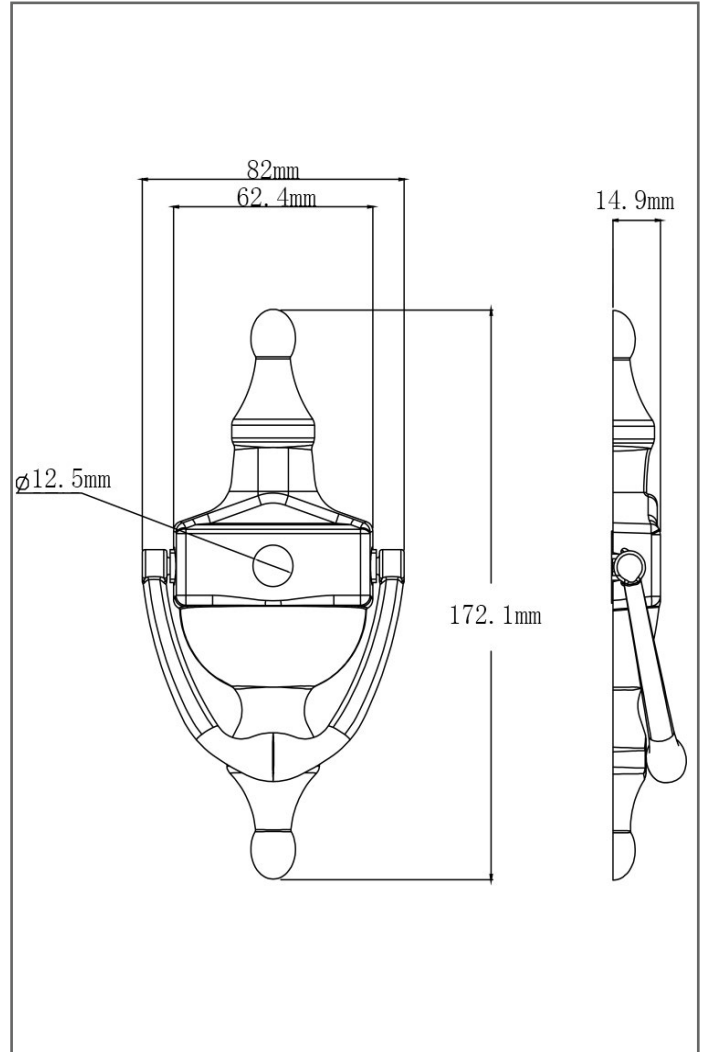


STAINLESS STEEL URN KNOCKERS

STAINLESS STEEL URN KNOCKER



STAINLESS STEEL URN KNOCKER WITH SPYHOLE



PACKAGING

Each outer box contains 30 individually boxed knockers, each with fixing block and screws.

MAINTENANCE

To maintain a high quality appearance and operation we recommend that all external hardware is cleaned routinely, and moving parts are lightly lubricated a minimum of twice a year. Products used within a 1 mile radius of coastal areas, building sites or large industrial areas, more regular cleaning will be required to prevent build up of corrosive contaminants.