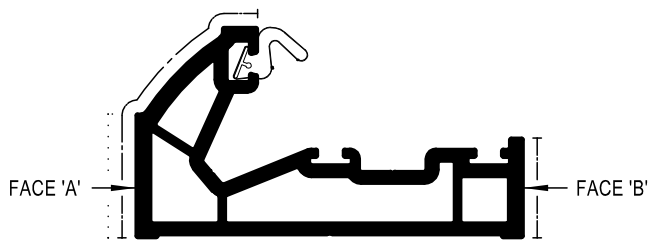


|                |                                 |                             |                  |         |                       |        |       |                             |            |      |          |      |       |          |          |
|----------------|---------------------------------|-----------------------------|------------------|---------|-----------------------|--------|-------|-----------------------------|------------|------|----------|------|-------|----------|----------|
| Drg. No.       | Wt: 0.831 Kg/m                  | I Value (cm <sup>2</sup> ): | Reversion (%): 2 | Mk. No. | Squareness: See Below | Drawn. | B.P.M | 09.08.11                    | Issue      | Mod  | Drawn    | Date |       |          |          |
| TD 7519        | Perimeter (mm): 275.663         | Unspec Rad: 0.3 mm          | ANG. TOL.        | 0       | 0.0                   | 0.00   | 0.000 | Surface Flatness: See Below | Checked.   | A.J. | 09.08.11 | B    | B.P.M | 10.08.11 |          |
| Copyright 2011 | Area (mm <sup>2</sup> ) 570.157 | Unspec. Wall:               | ±1°              | ±1      | ±0.5                  | ±0.2   | ±0.1  | Parallelism:                | I.S.R App. | 938  | 23.01.12 | C    | B.P.M | 06.09.11 |          |
|                |                                 |                             |                  |         |                       |        |       |                             |            |      |          | D    | 1303  | B.P.M    | 23.01.12 |

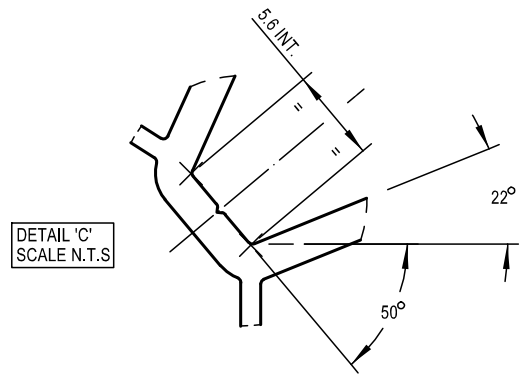
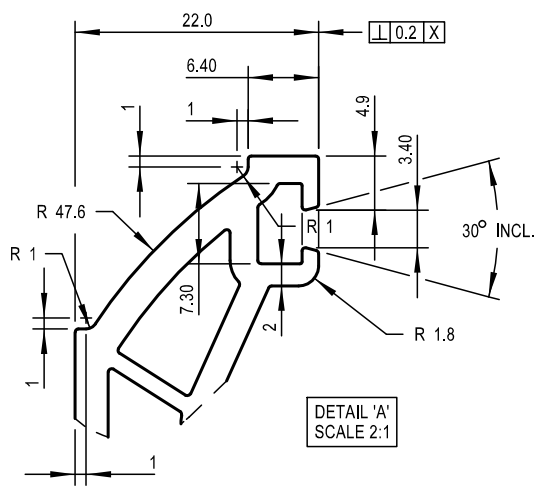
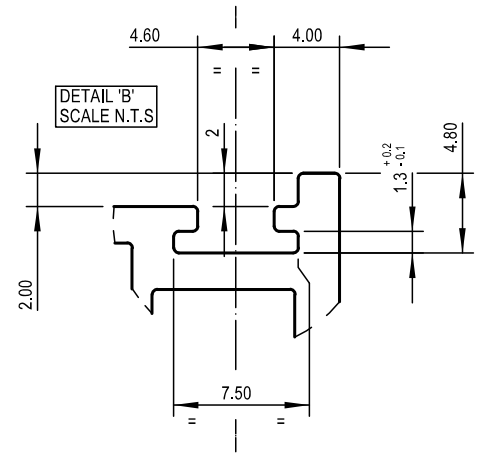
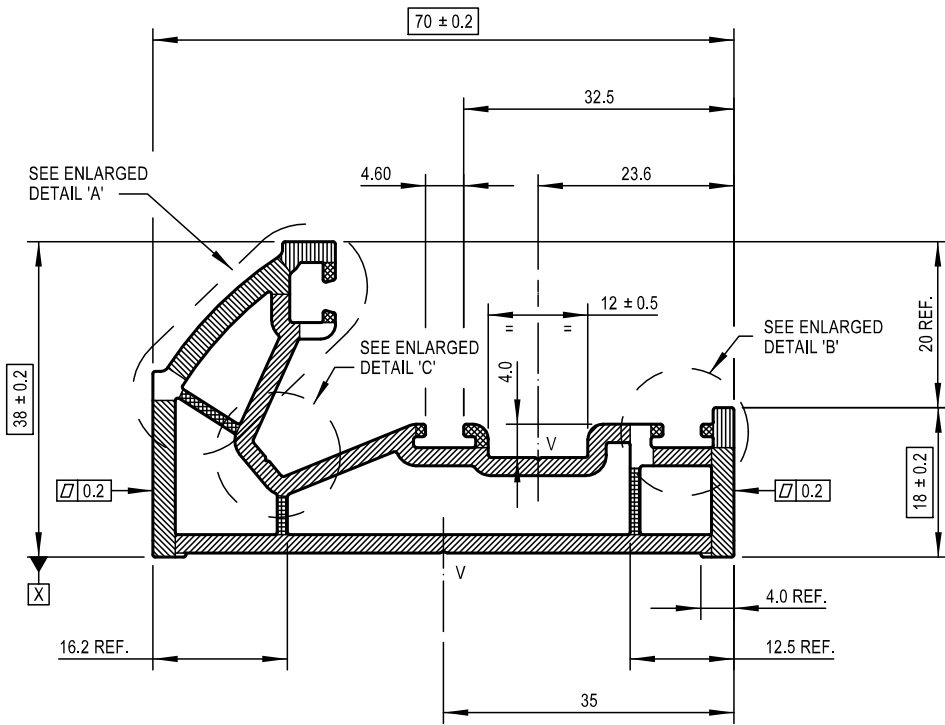
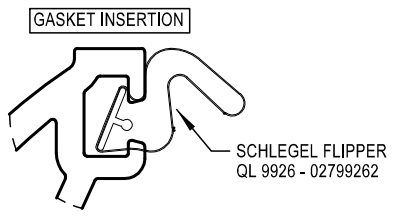
## Drawing For Production

|       |            |
|-------|------------|
| DATE: | ISSUED BY: |
|-------|------------|



- GENERAL THICKNESS TOLERANCES
- = 2.7mm +/- 0.2 WALL THICKNESS
  - = 2.5mm +/- 0.2 WALL THICKNESS
  - = 2.2mm +/- 0.2 WALL THICKNESS
  - = 1.5mm +/- 0.2 WALL THICKNESS
  - = 1.2mm +/- 0.2 WALL THICKNESS

NOTE:-  
 DIMENSIONS APPLY BEFORE FOILING  
 V = VEE GROOVE 0.3DP X 90°  
 ALL INTERNAL CORNERS TO BE 0.3mm RADII MIN UNLESS OTHERWISE STATED.  
 PROTECTIVE TAPE WIDTHS  
 FACE 'A' = 20 mm  
 FACE 'B' = NONE



ALL DIMENSIONS ARE IN MM      BOXED DIMENSIONS ARE CRITICAL

|   |                             |                     |                                |   |
|---|-----------------------------|---------------------|--------------------------------|---|
| Duraflex Ltd.<br>Tewkesbury Business Park, Severn Drive, Tewkesbury,<br>Glos. GL20 8TX. Tel. 08704 444663 Fax. 01684 852701 | Visible Face: _____         | Tool No. _____      | System: DIAMOND COMPOSITE DOOR | Title: ULTRA LOW COMPOSITE DOOR THRESHOLD       |
|   | Protective Tape Rqd.: _____ | P.C./P.N./P.D _____ | Material: P.V.C.-U             | Scale: 1:1, 2:1 & N.T.S.       Drg. No. TD 7519 |