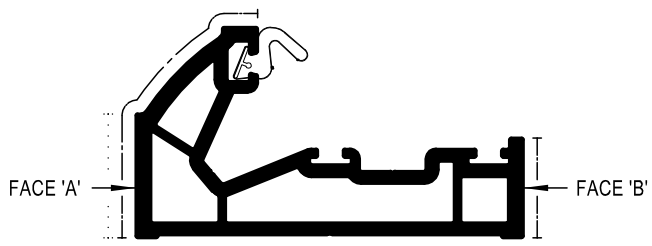


Drg. No. TD 7519		Wt: 0.831 Kg/m		I Value (cm ²):		Reversion (%): 2		Mk. No.			Squareness: See Below		Drawn. B.P.M		09.08.11		Issue Mod		Drawn Date		
● Copyright 2011		Perimeter (mm): 275.663		Unspec Rad: 0.3 mm		ANG. TOL.		0		0.0		0.000		Checked. A.J.		09.08.11		B		B.P.M 10.08.11	
		Area (mm ²) 570.157		Unspec. Wall:		± 1°		± 1		± 0.5		± 0.2		Parallelism:		I.S.R App.		938		23.01.12	
																D		1303		B.P.M 23.01.12	

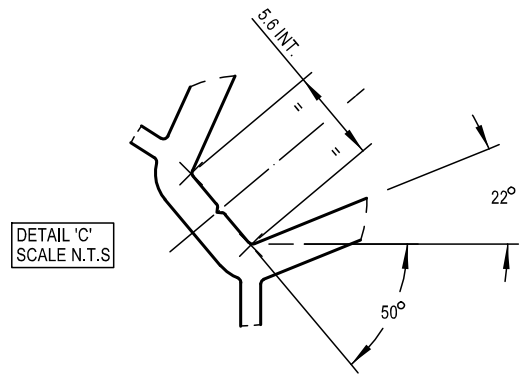
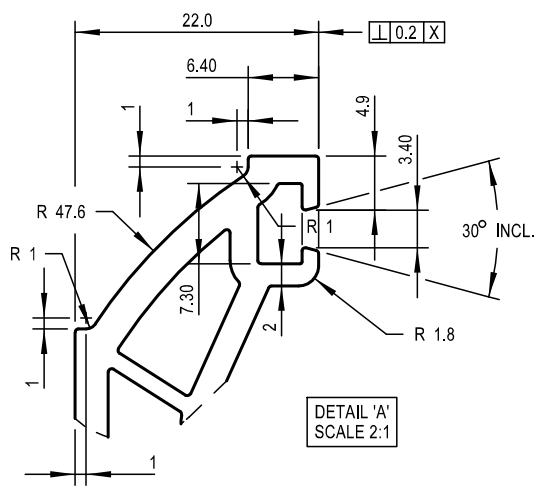
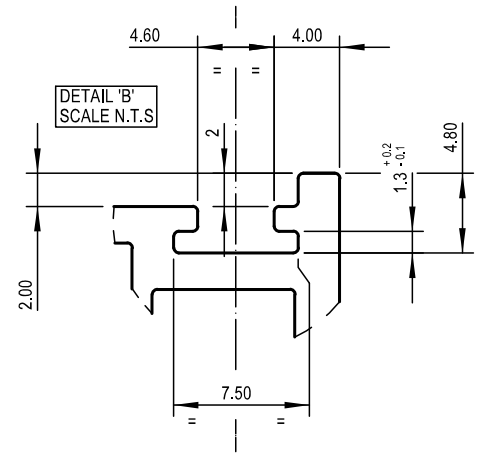
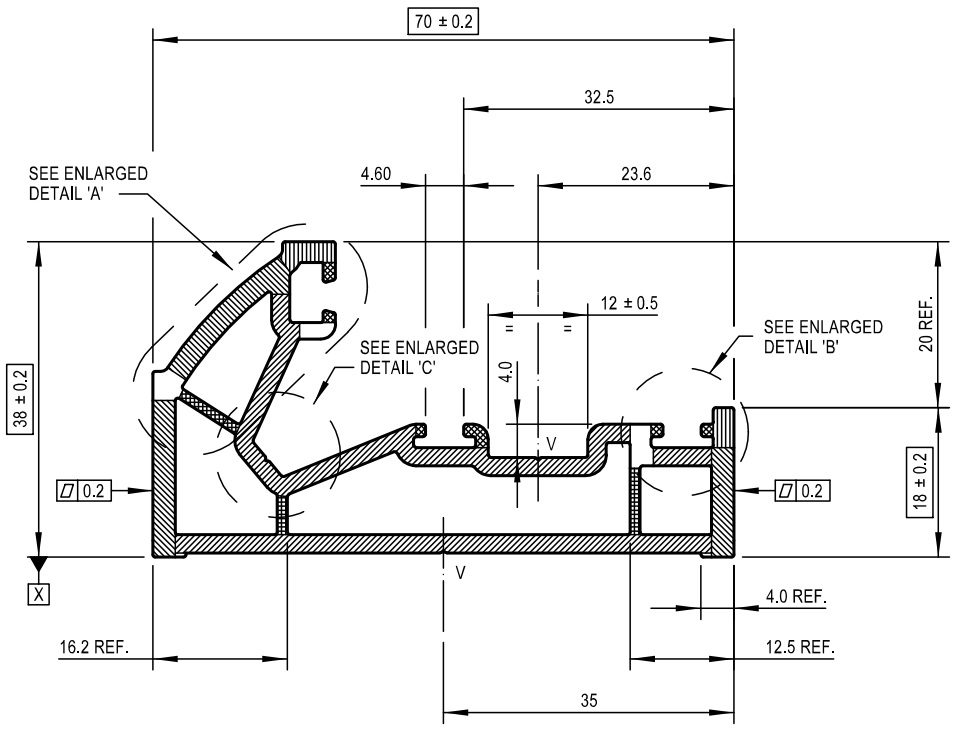
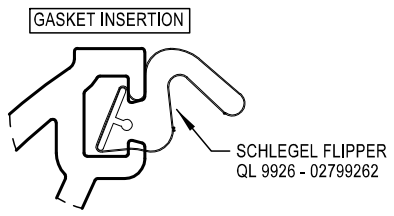
Drawing For Production

DATE:	ISSUED BY:
-------	------------



- GENERAL THICKNESS TOLERANCES
- = 2.7mm +/- 0.2 WALL THICKNESS
 - = 2.5mm +/- 0.2 WALL THICKNESS
 - = 2.2mm +/- 0.2 WALL THICKNESS
 - = 1.5mm +/- 0.2 WALL THICKNESS
 - = 1.2mm +/- 0.2 WALL THICKNESS

NOTE:-
 DIMENSIONS APPLY BEFORE FOILING
 V = VEE GROOVE 0.3DP X 90°
 ALL INTERNAL CORNERS TO BE 0.3mm RADII MIN UNLESS OTHERWISE STATED.
 PROTECTIVE TAPE WIDTHS
 FACE 'A' = 20 mm
 FACE 'B' = NONE



ALL DIMENSIONS ARE IN MM BOXED DIMENSIONS ARE CRITICAL

Duraflex Ltd. Tewkesbury Business Park, Severn Drive, Tewkesbury, Glos. GL20 8TX. Tel. 08704 444663 Fax. 01684 852701	Visible Face: _____	Tool No. _____	System: DIAMOND COMPOSITE DOOR	Title: ULTRA LOW COMPOSITE DOOR THRESHOLD
	Protective Tape Rqd.: _____	P.C./P/N./P.D _____	Material: P.V.C.-U	Scale: 1:1, 2:1 & N.T.S
				Scale: Drg. No. TD 7519