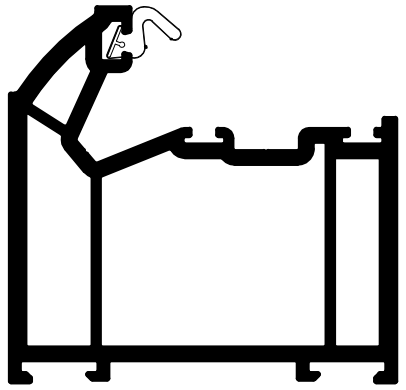


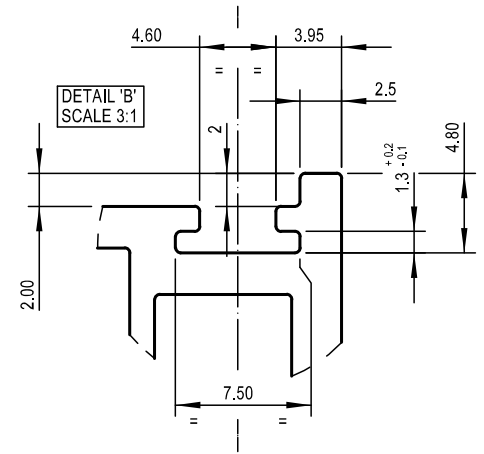
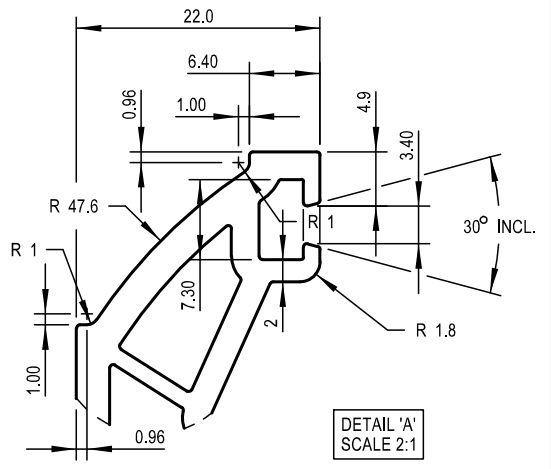
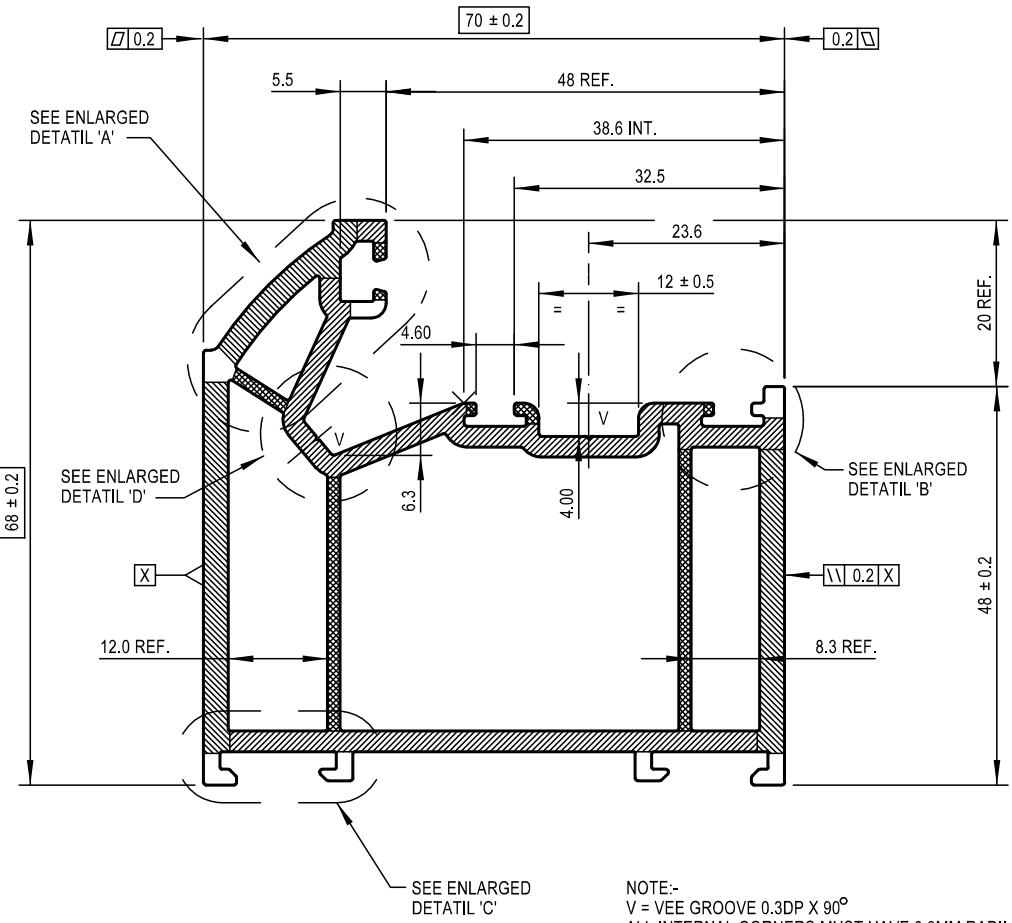
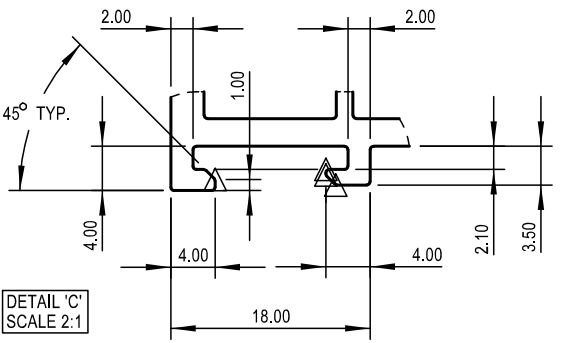
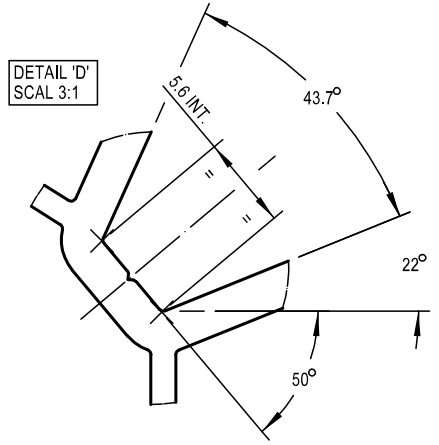
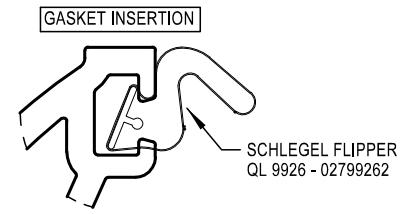
1	2		3		4				5		6		7		8		
Drg. No.	Wt/M: 1.326 Kg	I Value (cm ²):	Reversion (%):	Mk. No.	Squareness: 0.2	Drawn.	B.P.M	26.08.10	Issue	Mod	Drawn	Date					
TD 7504	Perimeter: 368.111mm	Unspec Rad: 0.3mm	ANG. TOL.	0	0.0	0.00	0.000	Surface Flatness: 0.2	Checked.	A.J.	26.08.10	1	1280	B.P.M	04.07.11		
© Copyright 2009	Area (mm ²) 909.398	Unspec. Wall:	±1°	±1	±0.5	±0.2	±0.1	// Parallelism: 0.2	I.S.R App.	898	23.06.11		

Drawing For Production

DATE: 04.07.11	ISSUED BY:
----------------	------------



- GENERAL THICKNESS TOLERANCES**
- = 3.0mm +/- 0.2 WALL THICKNESS
 - = 2.5mm +/- 0.2 WALL THICKNESS
 - = 1.5mm +/- 0.3 WALL THICKNESS



NOTE:-
V = VEE GROOVE 0.3DP X 90°
ALL INTERNAL CORNERS MUST HAVE 0.3MM RADII
UNLESS OTHERWISE STATED.

ALL DIMENSIONS ARE IN MM BOXED DIMENSIONS ARE CRITICAL

Duraflex Ltd. Tewkesbury Business Park, Severn Drive, Tewkesbury, Glos. GL20 8TX. Tel. 08704 444663 Fax. 01684 852701		Visible Face: _____	Tool No. _____	System: _____	Title: COMPOSITE DOOR OUTER FRAME	
		Protective Tape Rqd.: _____	P.C./P/N.P.D _____	Material: P.V.C.-U	Scale: 1:1, 2:1 & N.T.S	Drp. No. TD 7504