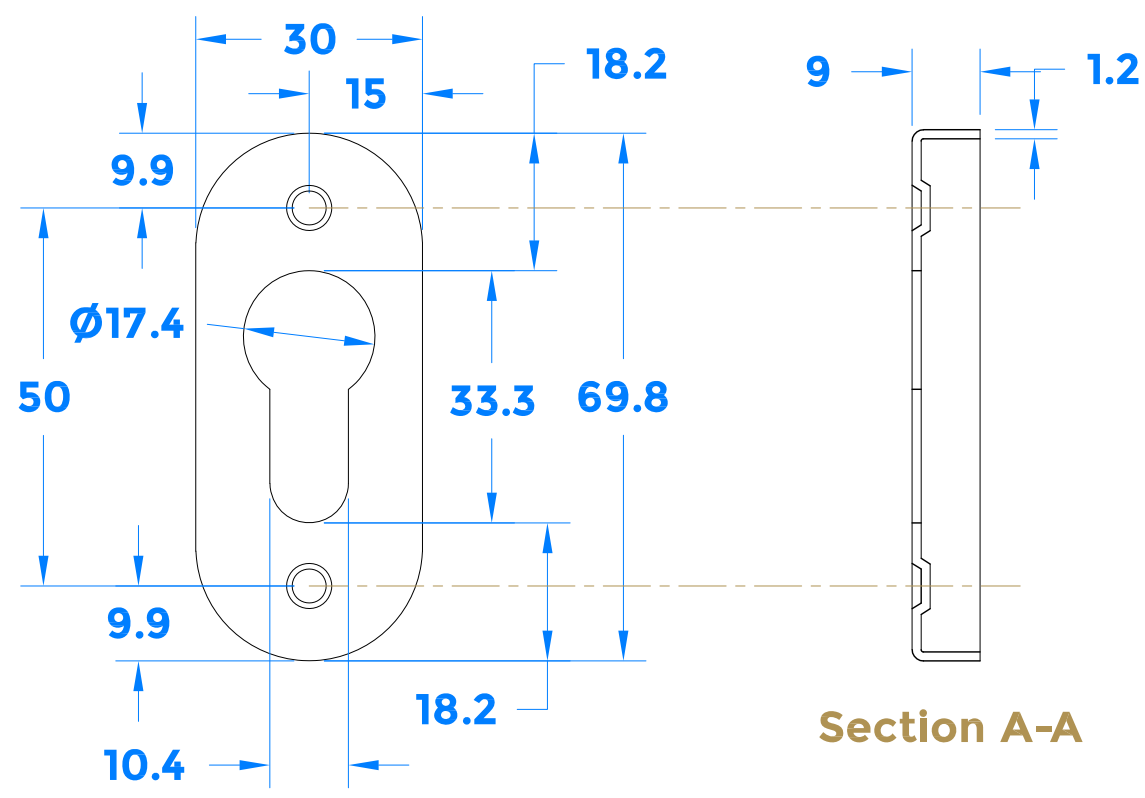


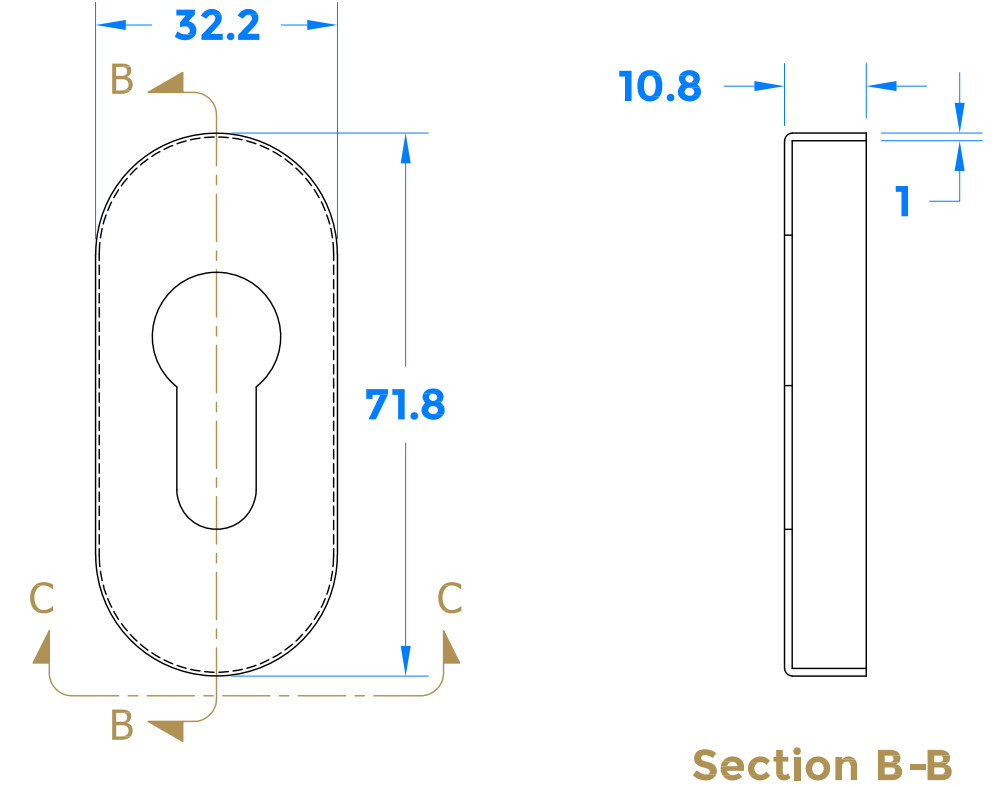
REVISION HISTORY		
Revision	Description	Date
A	Release	04/06/21

Backplate



Section A-A

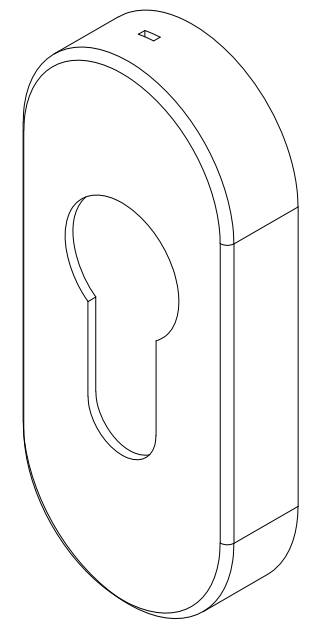
Faceplate Cover



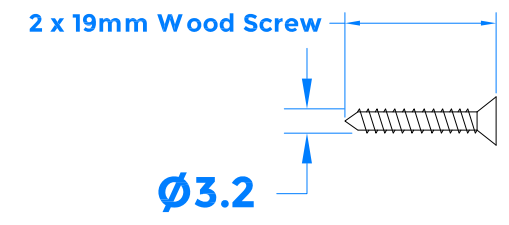
Section B-B



Logo Position
Section C-C



Logo Position



 COASTAL		coastal-group.com <i>Shaping the future</i>
Part Number / Drawing Title: KM045B Oval Escutcheon		
Product Range: Door furniture		
Material: 316 Stainless Steel		
Additional Info:		
Date Drawn: 04/06/2021		
Drawn By: Phillip Walklett		
Part Number: KM045B		
File Name: KM045B.dwg		
Revision: A		
Drawing Scale: 1:1 @ A3		
Sheet Number: 1 of 1		
THIRD ANGLE PROJECTION		<small>This drawing and specification are the property of Coastal Specialist Ironmongery Ltd. they are issued in strict confidence and shall not be reproduced, copied or used without written permission. E&OE - All dimensions are specified in mm.</small>