

# APECS AP – KEEP BURGLARS OUT

**APECS AP IS DESIGNED TO PROTECT FROM ALL COMMON FORCED ENTRY METHODS OF ATTACK.**

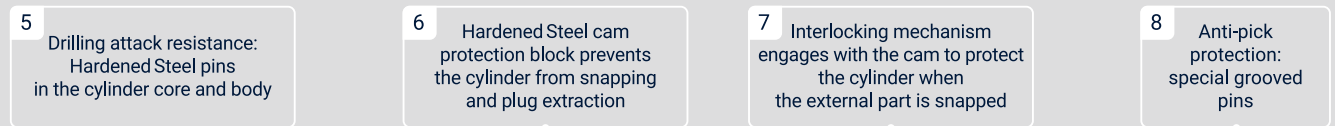
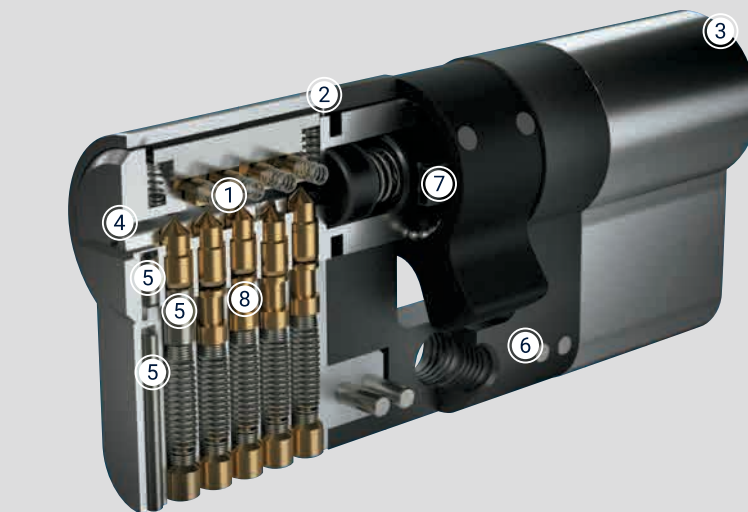
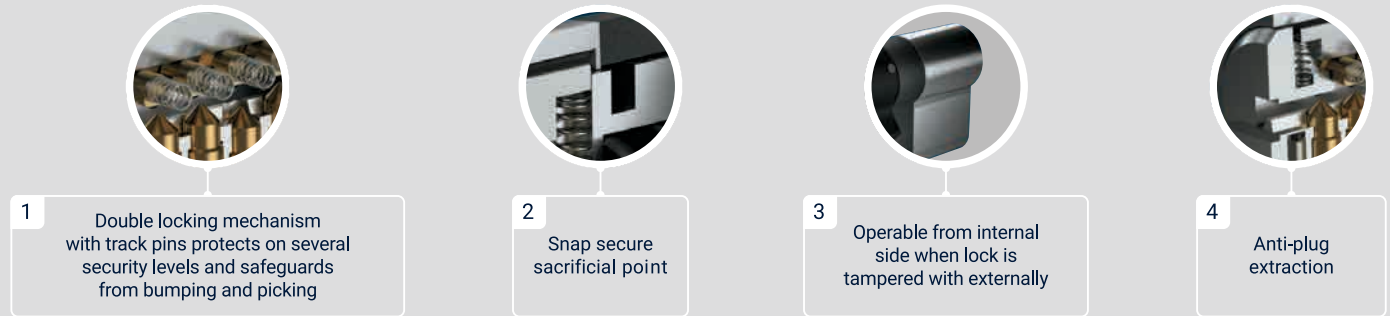
Lock snapping is the most used break-in technique in the UK. When a burglar applies it, the AP cylinder breaks at the designated sacrificial point. This sets our patent-pending interlocking cam mechanism into action, preventing any further damage to the internal parts of the cylinder, whilst keeping the lock operable from the inside.

There are additional elements in the cylinder that safeguard the lock and your property from other forced methods of attack, ranging from plug-extraction and drilling, to bumping and picking.

The AP cylinder received great reviews from the locksmith community.

“THE AP CYLINDER LOOKS STURDY AND STANDS UP TO ATTACK. AFTER MY TESTING OF IT I THINK IT IS RUGGED AND CAN TAKE A REAL BEATING.”

*Martin Hensberg, Doc 4 Locks, UK*



# APECS SECURITY GUARANTEE

APECS AP HAS BEEN AWARDED  
THE HIGHEST LEVEL OF BRITISH LOCK  
SECURITY CERTIFICATIONS:

- BSI 3 Star Kitemark – KM621947
- Sold Secure Diamond Standard – CLME08161454
- Tested to TS007:2014 A1:2015
- Tested to EN1303:2015 — 16000C6D
- Every production batch of APECS AP is in-house tested, this is confirmed by the “seal of excellence” hologram.

RESTRICTED PROFILE DIMPLE KEY WITH A COMPLEX  
AND HIGHLY ENGINEERED DESIGN TO PREVENT ILLICIT  
KEY COPYING.



SCAN THE QR CODE  
TO WATCH  
PRODUCT VIDEO

Installer's contacts:



**APECS — PROTECTING  
THE HOME,  
THE WORKSPACE  
AND SPACES BETWEEN**

302-303 Harbour Yard,  
Chelsea Harbour,  
London, SW10 0XD

Please contact us if you have any questions:

Tel: +44 (0) 207 349 9888  
WhatsApp: +44 (0) 792 883 2801  
E-mail: [info@apecs.co.uk](mailto:info@apecs.co.uk)  
[www.apecs.co.uk](http://www.apecs.co.uk)

 /apecslocks

 /ApecsLocks

 /apecslocks

**APECS®**

**APECS AP —  
THE LEADING LOCK  
ON THE MARKET  
AGAINST FORCED  
ENTRY METHODS  
OF ATTACK**

